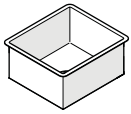
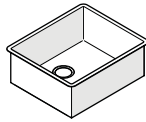


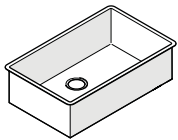
STYLE No. KRSK10
19 3/4" x 17 3/4" x 9 1/2"
With Center Drain



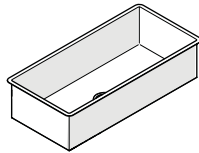
STYLE No. KRSK12
23 1/4" x 19 3/4" x 9"
With Rear Drain



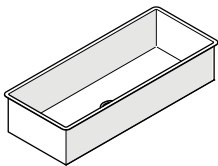
STYLE No. KRSK14
31 3/4" x 19 3/4" x 9 1/2"
With Rear Drain



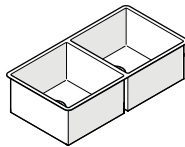
STYLE No. KRSK16
39 1/4" x 18 3/4" x 10"
With Center Drain



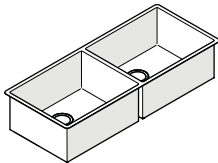
STYLE No. KRSK18
45 1/4" x 18 3/4" x 10"
With Center Drain



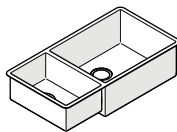
STYLE No. KRSK30
35 3/4" x 18 1/2" x 10 5/8"
Twin With Rear Drains



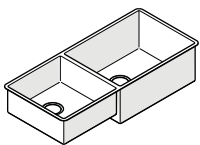
STYLE No. KRSK32
45 1/4" x 18 3/4" x 10"
Twin with Rear Drains



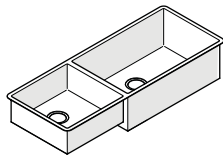
STYLE No. KRSK50
34 1/4" x 18 1/4" x 8 5/8"
Double With Rear Drains



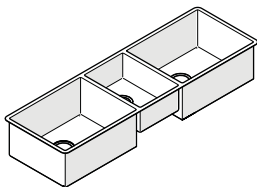
STYLE No. KRSK52
40" x 18" x 10"
Double with Rear Drains



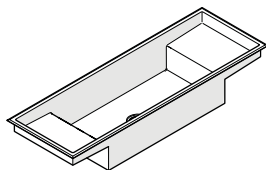
STYLE No. KRSK54
46 7/16" x 18 1/4" x 10"
Double With Rear Drains



STYLE No. KRSK60
57 1/8" x 18 1/4" x 10"
Triple with Rear Drains



STYLE No. KRSK62
57 3/8" x 19 3/8" x 10"
With Center Drain & Workspace



SPECIFICATIONS:

Drain Hole Diameter: 3-1/2" [89mm]
Garbage Disposal: Yes
Sound Proofing: Yes

REQUIRED PLUMBING DETAILS:

Universal Kitchen Sink Strainer 3 1/2"
STYLE No. UNKS30

IMPORTANT:

- To ensure this product is installed properly, you must read and follow these guidelines.
- The owner/user of this product must keep this information for future reference.
- This product must be installed by a professional licensed contractor. Be sure your installation conforms to all federal, state, and local codes.
- All dimensions are based on original specifications and are subject to change and variation. Dimensions taken for the purposes of cutting templates should always be taken from each product directly. For flush/no reveal or reveal installations, the physical sink is required due to sink tolerances.
- The use of certain plumber's putty may stain stone or tile surfaces.
- Ensure that the cabinet is properly sized for the sink being used. The cabinet must be plumbed, level, and securely installed prior to installing the sink.
- Adequate support framing is required for undermount sink installations. Ensure that the screws used to attach the framing are long enough to secure the framing but short enough to prevent the screws from damaging the adjacent cabinets.

DROP IN INSTALLATIONS:

- Refer to Figure - 01 for Steps 1 - 3.

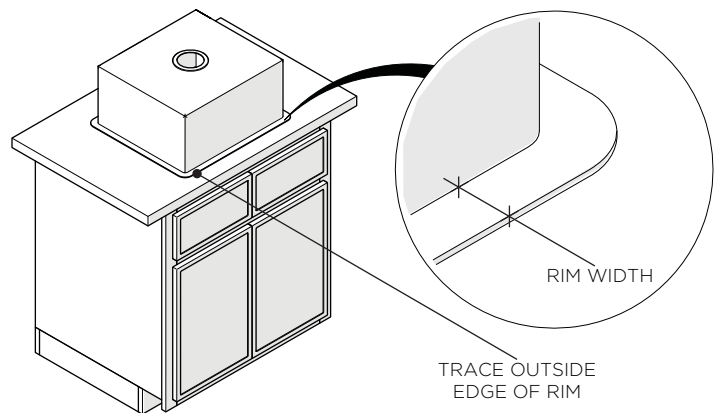


FIGURE - 01

These guidelines have been prepared for the professional contractor to aid in the installation of:
KERR STAINLESS STEEL KITCHEN SINKS (STYLE No. KRSK10, KRSK12, KRSK14, KRSK16, KRSK18, KRSK30, KRSK32,
KRSK50, KRSK52, KRSK54, KRSK60, AND KRSK62).
All dimensions are based on original specification and are subject to change and variation.
Please consult your Design Associate for current specifications.

WATERWORKS

1. Place painter's tape on the countertop surface then place the SINK upside down on the tape making sure the position of the SINK will not interfere with the faucet fittings or backsplash.
2. With the SINK in the final position trace the outside edge of the rim onto the tape.
3. Measure the rim width on the underside of the SINK and transfer this dimension onto the tape. This offset mark should be on the inside of the mark made in the previous step.
4. Cut the countertop opening and dry fit the SINK then remove the SINK and make any adjustments to the opening if necessary.

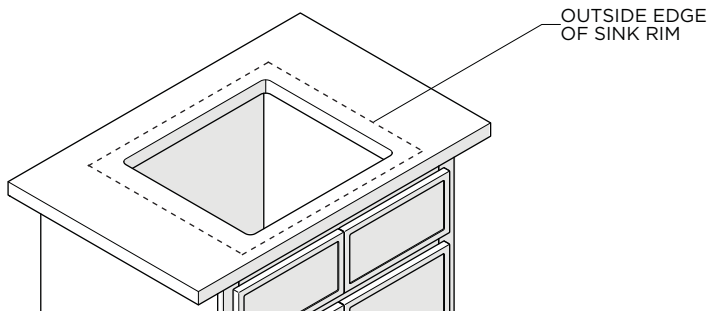


FIGURE - 02

5. Cut out any faucet holes on the countertop prior to final installation.
6. Install the strainer (not provided) per the manufacturer's instructions and apply a bead of silicone sealant to the underside rim of the SINK then place it into the countertop and verify the SINK is aligned properly.
7. Remove any excess sealant.
8. Install the faucet per the manufacturer's instructions and make final supply and waste connections.

UNDERMOUNT INSTALLATIONS WITH SUPPORT FRAME:

- Refer to Figure - 03 for Steps 1 - 3.

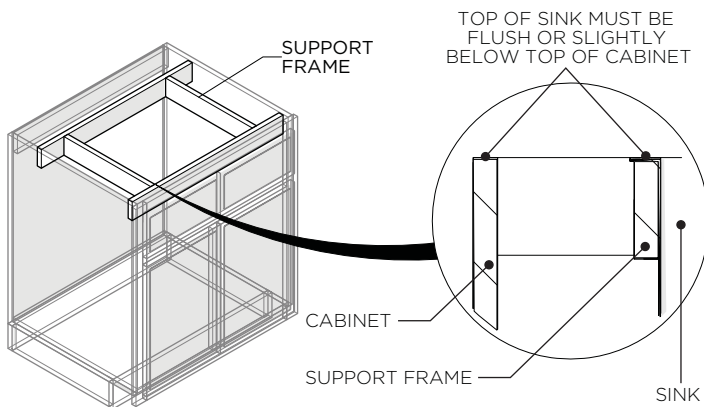


FIGURE - 03

1. Using adequate support framing material, install a support frame inside the cabinet that will securely support the weight of the SINK.

NOTE: Take into account the cabinet structure as well as any plumbing when constructing the support frame. Actual support structure is the responsibility of the installer.

2. Prior to securing the framing, make sure the top of the SINK will rest flush or slightly below the top of the cabinet.
3. Ensure that the supports are secured using screws (not provided) and level.

WARNING: Ensure the screws used to attach the framing are long enough to secure the framing but short enough to prevent the screws from damaging the adjacent cabinets.

4. Install the strainer (not provided) per the manufacturer's instructions.
5. Dry fit the SINK to the cabinet and support framing. Ensure that the framing will support the weight of the SINK, the SINK is level, and the top of the SINK is flush or slightly below the top of the cabinet.

- Refer to Figure - 04 for Steps 6 - 7.

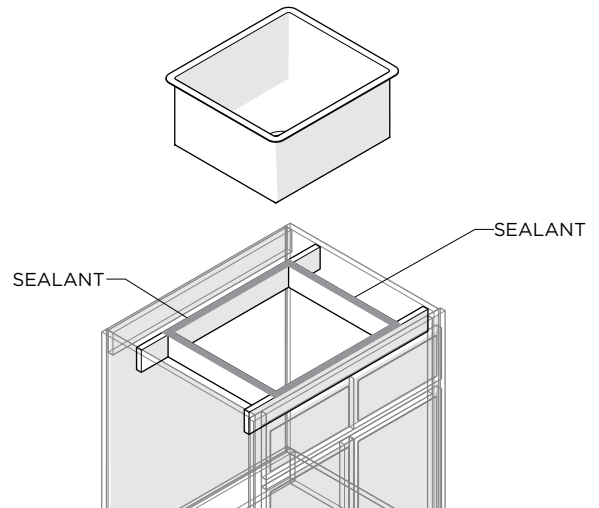


FIGURE - 04

6. Remove the SINK and apply a bead of silicone sealant to the support frame where the SINK will be supported.
7. Lower the SINK into the cabinet, firmly press down, and wipe away any excess sealant. Ensure the top of the SINK sits flush or slightly below the top of the cabinet.
8. With the SINK in the final position, create a template to transfer onto the countertop then cut the countertop per the manufacturer's instructions.

NOTE: For flush/no reveal or reveal installations, the individual SINK is required due to SINK tolerances.

These guidelines have been prepared for the professional contractor to aid in the installation of:
KERR STAINLESS STEEL KITCHEN SINKS (STYLE No. KRSK10, KRSK12, KRSK14, KRSK16, KRSK18, KRSK30, KRSK32,
KRSK50, KRSK52, KRSK54, KRSK60, AND KRSK62).
All dimensions are based on original specification and are subject to change and variation.
Please consult your Design Associate for current specifications.

WATERWORKS

9. Cut out any faucet holes on the countertop prior to final installation.
10. Apply a bead of silicone sealant to the top of the SINK then place the countertop on top of the cabinets. See Figure - 05.

IMPORTANT: The countertop **MUST NOT** rest on top of the SINK.

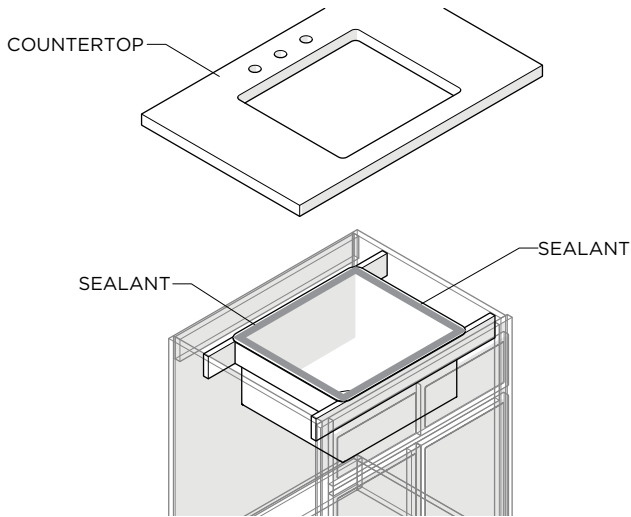


FIGURE - 05

11. Remove any excess sealant.
12. Install the faucet per the manufacturer's instructions and make final supply and waste connections.

UNDERMOUNT INSTALLATIONS WITH MOUNTING CLIPS:

- **IMPORTANT:** Select mounting clips (not provided) appropriate for the countertop material being used.
 - The quantity of clips required should be based on the weight and size of the SINK. Refer to the manufacturer for suggested quantities.
 - The countertop does not need to be installed onto the cabinets for this installation.
1. Verify cabinet, SINK, faucet, and countertop dimensions to determine the proper placement of the SINK and mounting clips.
 2. Create a template to transfer onto the countertop then cut the countertop per the manufacturer's instructions.
- NOTE:** For flush/no reveal or reveal installations, the individual SINK is required due to SINK tolerances.
3. Cut out any faucet holes on the countertop prior to final installation.
 4. Install the mounting clips (not provided) per the manufacturer's instructions onto the countertop.

5. Apply a bead of silicone to the top of the SINK and hold it up to the countertop. It may be necessary to clamp the SINK to the countertop to prevent any shifting.
 6. Tighten the mounting clips per the manufacturer's instructions then wipe away any excess sealant.
 7. Install the strainer (not provided) per the manufacturer's instructions then install the countertop, if not installed already.
 8. Install the faucet per the manufacturer's instructions and make final supply and waste connections.
- If further assistance is required, please contact Product Support at 1-800-927-2120 Monday through Friday, 8am - 7pm EST.

These guidelines have been prepared for the professional contractor to aid in the installation of:
KERR STAINLESS STEEL KITCHEN SINKS (STYLE No. KRSK10, KRSK12, KRSK14, KRSK16, KRSK18, KRSK30, KRSK32,
KRSK50, KRSK52, KRSK54, KRSK60, AND KRSK62).
All dimensions are based on original specification and are subject to change and variation.
Please consult your Design Associate for current specifications.

W A T E R W O R K S