

LUDLOW

LDS222

Ludlow 12" Rain Showerhead with 18" Ceiling Mounted Shower Arm



SHOWN IN LUDLOW 12" RAIN SHOWERHEAD WITH 18" CEILING MOUNTED SHOWER ARM | LDS222

TECHNICAL DETAILS

Adjustable Versus Fixed Spray: Fixed
Fittings Hole Diameter: 1 1/4"
Inlet Connection Size: 1/2"
Inlet Connection Type: Male NPT
Pivot: Y
Primary Material: Brass
Restricted Maximum Flow Rate: 1.75 gpm
Water Pressure Maximum: 85.0 psi
Water Pressure Minimum: 20.0 psi
Water Pressure Recommended: 45.0 psi

INSPIRATION

Our fresh take on American industrial design comes in three styles, each of them clean-lined, and distinct to Waterworks.

CODES & STANDARDS

PRODUCT FEATURES

Made of Brass

Features a swivel 12" rain showerhead with easy clean rubber nozzles

Includes an 18" ceiling mounted shower arm

Stocked in Brass, Chrome and Nickel

Rain showerhead available in 1.75gpm (6.6L/min) flow rate

CERTIFICATIONS

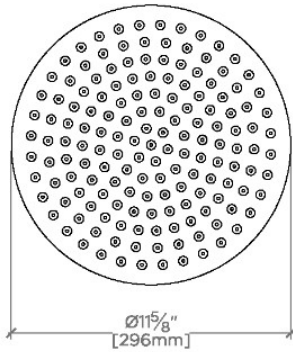
PRODUCT (NOTES)

WATERWORKS

LUDLOW

LDS222

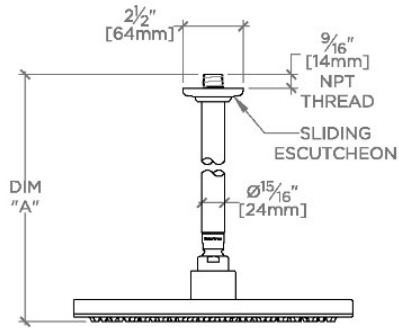
Ludlow 12" Rain Showerhead with 18" Ceiling Mounted Shower Arm



CEILING VIEW

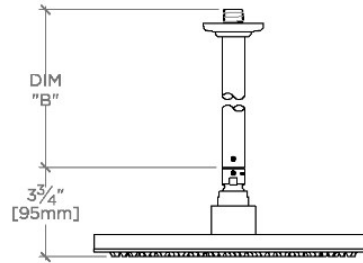
SCALE: 1/2"=1'-0"

STYLE NO.	DIM "A"	DIM "B"
LDS220	10 ⁵ / ₁₆ " [262mm]	6 ⁹ / ₁₆ " [167mm]
LDS221	16 ⁵ / ₁₆ " [414mm]	12 ⁹ / ₁₆ " [319mm]
LDS222	22 ⁵ / ₁₆ " [566mm]	18 ⁹ / ₁₆ " [472mm]



FRONT VIEW

SCALE: 1/2"=1'-0"



SIDE VIEW

SCALE: 1/2"=1'-0"