

HIGHGATE

HGTH21

Highgate Integrated Thermostatic and Volume Control Trim
with Cross Handle



SHOWN IN HIGHGATE INTEGRATED THERMOSTATIC AND VOLUME CONTROL TRIM WITH CROSS HANDLE | HGTH21

TECHNICAL DETAILS

Number Of Holes: One Hole
Primary Material: Brass

INSPIRATION

Our take on old English style: simple, functional shapes, detailed with white porcelain indices and hexagonal accents for a timeless feel.

CODES & STANDARDS

PRODUCT FEATURES

Features Cross Handle

Smooth handle operation controls water volume

A solid brass trim plate features engraved TEMPERATURE along with H and C markings.

Stocked in Chrome, Nickel and Brass

Requires rough valve, sold separately: GUTH61 (USA) or GU61TH (UK/International)

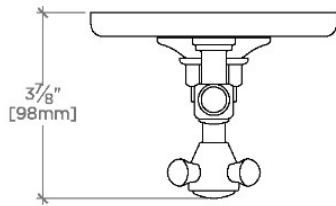
CERTIFICATIONS

PRODUCT (NOTES)

HIGHGATE

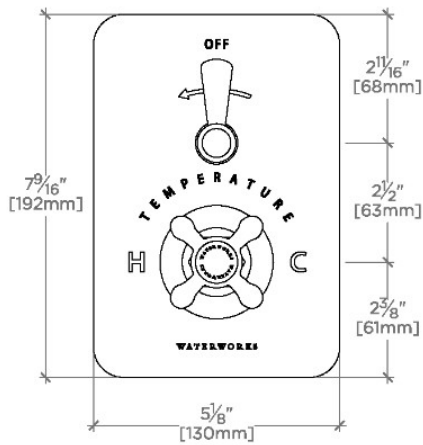
HGTH21

Highgate Integrated Thermostatic and Volume Control Trim with Cross Handle



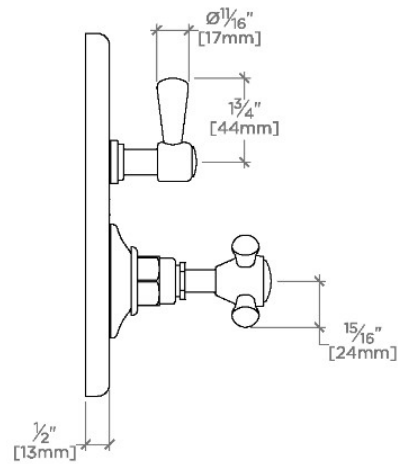
TOP VIEW

SCALE: 3"=1'-0"



FRONT VIEW

SCALE: 3"=1'-0"



SIDE VIEW

SCALE: 3"=1'-0"