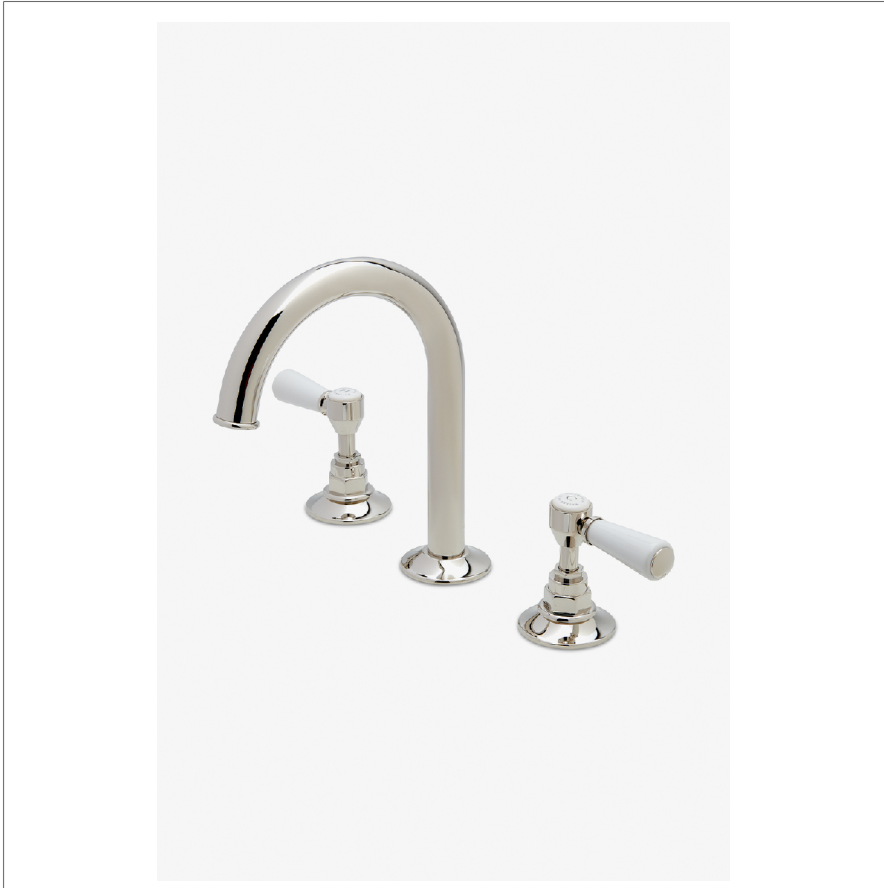


HIGHGATE

HGLS30

Highgate Gooseneck Lavatory Faucet with White Porcelain Lever Handles



SHOWN IN HIGHGATE GOOSENECK LAVATORY FAUCET WITH WHITE PORCELAIN LEVER HANDLES | HGLS30

INSPIRATION

Our take on old English style: simple, functional shapes, detailed with white porcelain indices and hexagonal accents for a timeless feel.

PRODUCT FEATURES

Lever Handles

Includes USA size lift and turn drain.

Stocked in Chrome, Nickel and Brass.

Available in 1.2gpm (4.5L/min) flow rate

TECHNICAL DETAILS

Deck Thickness Maximum: 1 9/16"
Deck Thickness Minimum: 3/8"
Drain Depth Maximum: 2"
Drain Depth Minimum: 1 3/8"
Drain Hole Diameter: 1 1/2"
Drain Style: Lift & Turn
Fittings Hole Diameter: 1 3/8"
Handle Spread Maximum: 12"
Handle Spread Minimum: 8"
Handle Turn Angle: Quarter Turn
Inlet Connection Size: 1/2"
Inlet Connection Type: Male with Supply Nut
Inlet Supply Spread Maximum: 12"
Inlet Supply Spread Minimum: 8"
Restricted Maximum Flow Rate: 1.2 gpm
Valve Material: Ceramic
Water Pressure Maximum: 85.0 psi
Water Pressure Minimum: 20.0 psi
Water Pressure Recommended: 45.0 psi

CODES & STANDARDS

CERTIFICATIONS

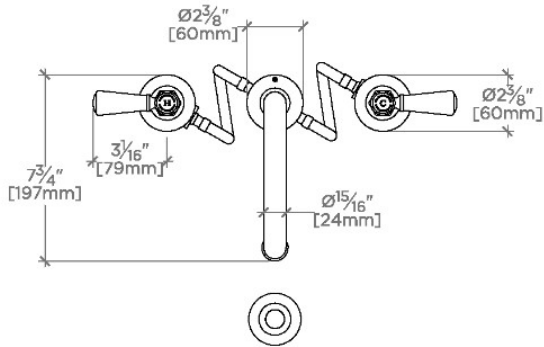
PRODUCT (NOTES)

WATERWORKS

HIGHGATE

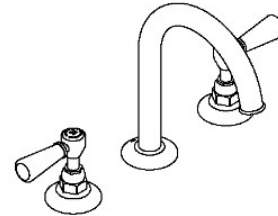
HGLS30

Highgate Gooseneck Lavatory Faucet with White Porcelain Lever Handles



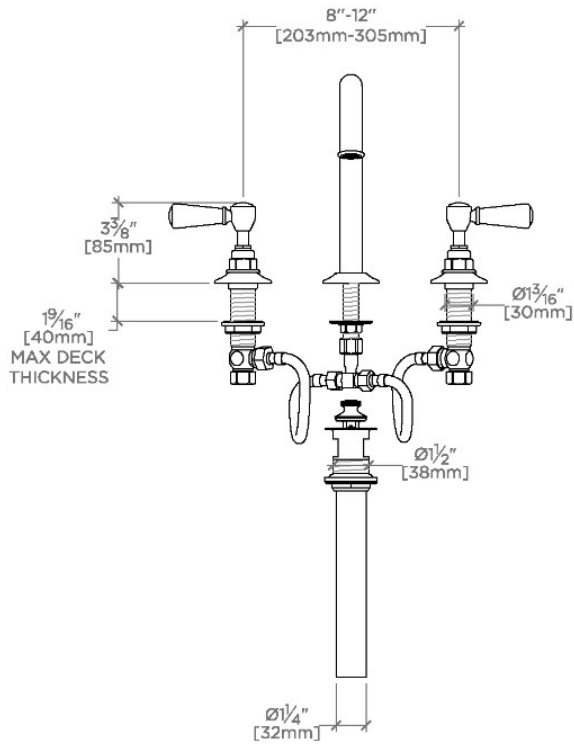
TOP VIEW

SCALE: 1/2"=1'-0"



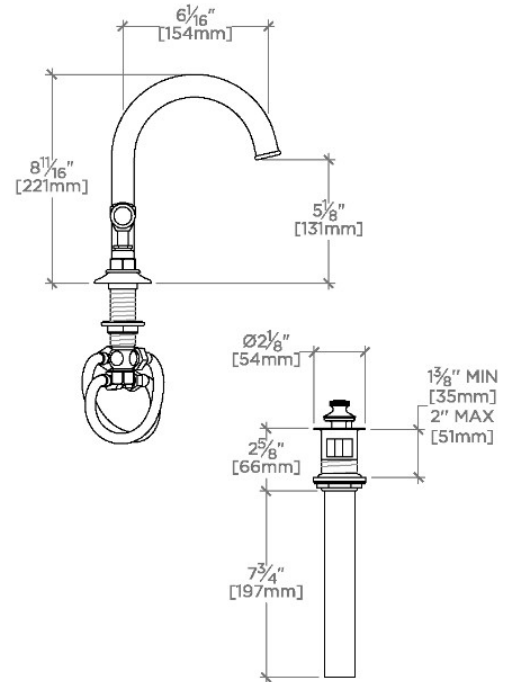
ISO VIEW

SCALE: 1/2"=1'-0"



FRONT VIEW

SCALE: 1/2"=1'-0"



SIDE VIEW

SCALE: 1/2"=1'-0"