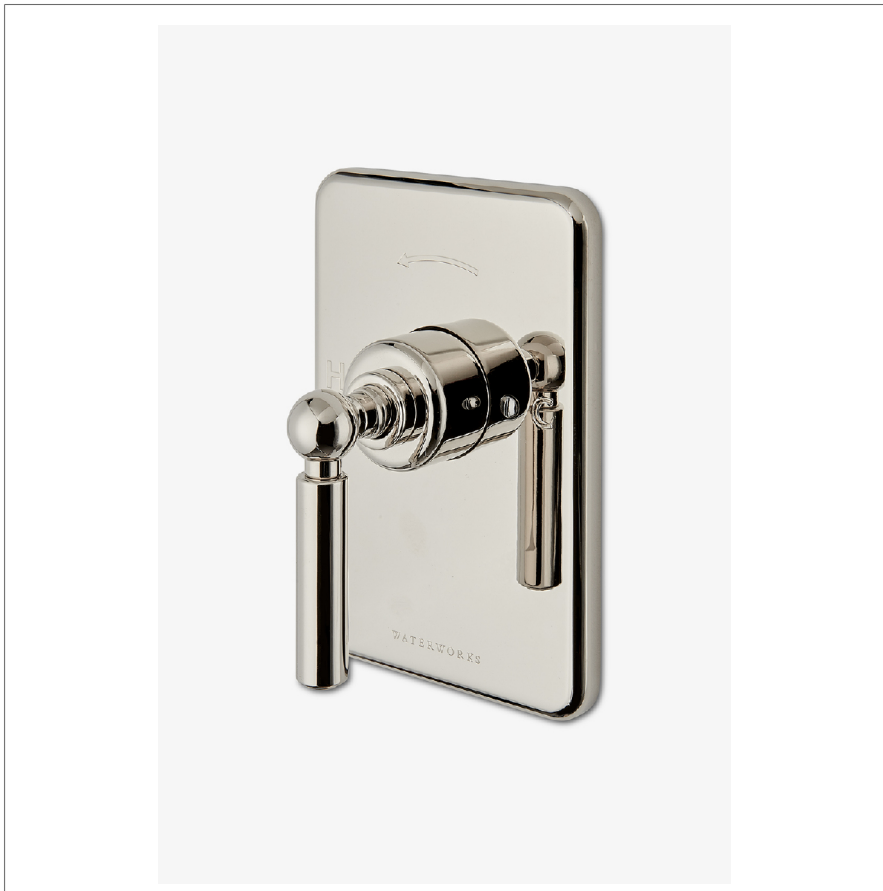


LUDLOW

LDPB11

Ludlow Pressure Balance Control Valve Trim with Lever Handle



SHOWN IN LUDLOW PRESSURE BALANCE CONTROL VALVE TRIM WITH LEVER HANDLE | LDPB11

TECHNICAL DETAILS

Fittings Hole Diameter: 3 1/2"
Primary Material: Brass

INSPIRATION

Our fresh take on American industrial design comes in three styles, each of them clean-lined, and distinct to Waterworks.

CODES & STANDARDS

PRODUCT FEATURES

Lever Handle

Adjust the single handle control to switch water on and adjust temperature

Stocked in a Chrome, Nickel and Brass

Requires valve rough GUPB81

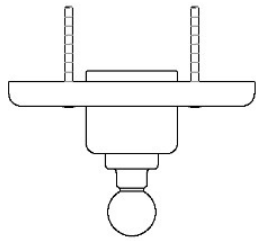
CERTIFICATIONS

PRODUCT (NOTES)

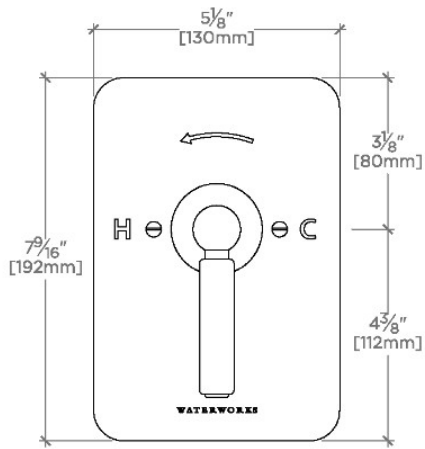
LUDLOW

LDPB11

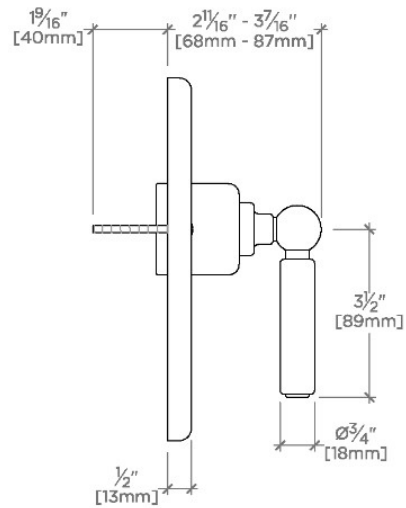
Ludlow Pressure Balance Control Valve Trim with Lever Handle



TOP VIEW SCALE: 3"=1'-0"



FRONT VIEW SCALE: 3"=1'-0"



SIDE VIEW SCALE: 3"=1'-0"