

LUDLOW

LDTH15

Ludlow Volta Thermostatic Control Valve Trim with Lever Handle



SHOWN IN LUDLOW VOLTA THERMOSTATIC CONTROL VALVE TRIM WITH LEVER HANDLE | LDTH15

TECHNICAL DETAILS

Primary Material: Brass

INSPIRATION

Our fresh take on American industrial design comes in three styles, each of them clean-lined, and distinct to Waterworks.

CODES & STANDARDS

PRODUCT FEATURES

Lever Handle

Allows bather to adjust temperature of all waterway outlets with a hot limit safety stop providing anti-scald protection

Stocked in a Chrome, Nickel and Brass

Requires rough valve, sold separately: GUTH60 (1/2") or GUTH38 (3/4")

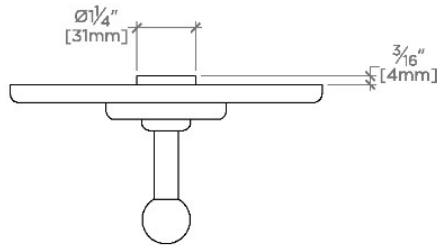
CERTIFICATIONS

PRODUCT (NOTES)

LUDLOW

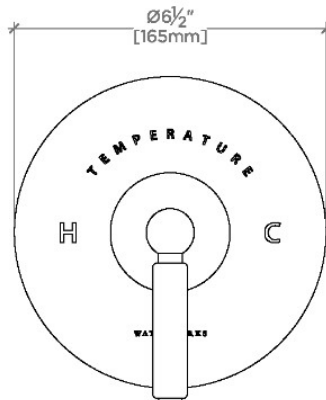
LDTH15

Ludlow Volta Thermostatic Control Valve Trim with Lever Handle



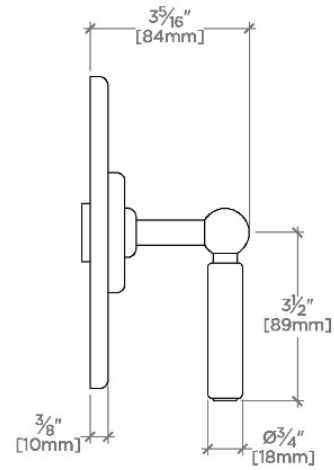
TOP VIEW

SCALE: 3"=1'-0"



FRONT VIEW

SCALE: 3"=1'-0"



SIDE VIEW

SCALE: 3"=1'-0"