

## LUDLOW

LDPB15

Ludlow Volta Pressure Balance Control Valve Trim with Lever Handle



SHOWN IN LUDLOW VOLTA PRESSURE BALANCE CONTROL VALVE TRIM WITH LEVER HANDLE | LDPB15

### TECHNICAL DETAILS

Fittings Hole Diameter: 3 1/2"  
Primary Material: Brass

### INSPIRATION

Our fresh take on American industrial design comes in three styles, each of them clean-lined, and distinct to Waterworks.

### CODES & STANDARDS

### PRODUCT FEATURES

Lever Handle

Adjust the single handle control to switch water on and adjust temperature

Stocked in a Chrome, Nickel and Brass

Requires valve rough GUPB81

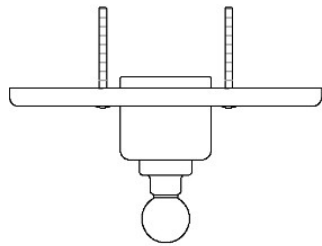
### CERTIFICATIONS

### PRODUCT (NOTES)

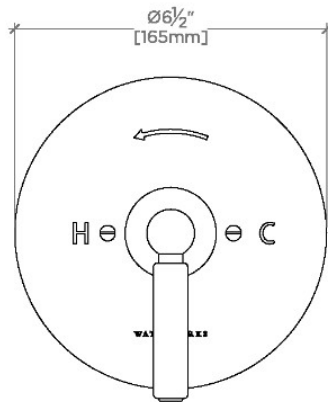
## LUDLOW

LDPB15

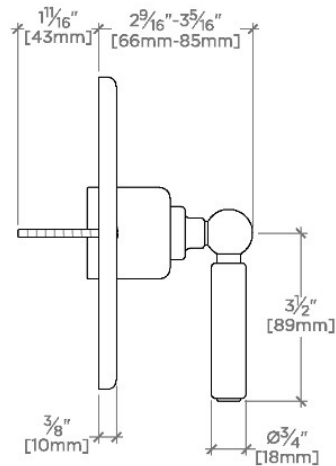
Ludlow Volta Pressure Balance Control Valve Trim with Lever Handle



TOP VIEW SCALE: 3"=1'-0"



FRONT VIEW SCALE: 3"=1'-0"



SIDE VIEW SCALE: 3"=1'-0"