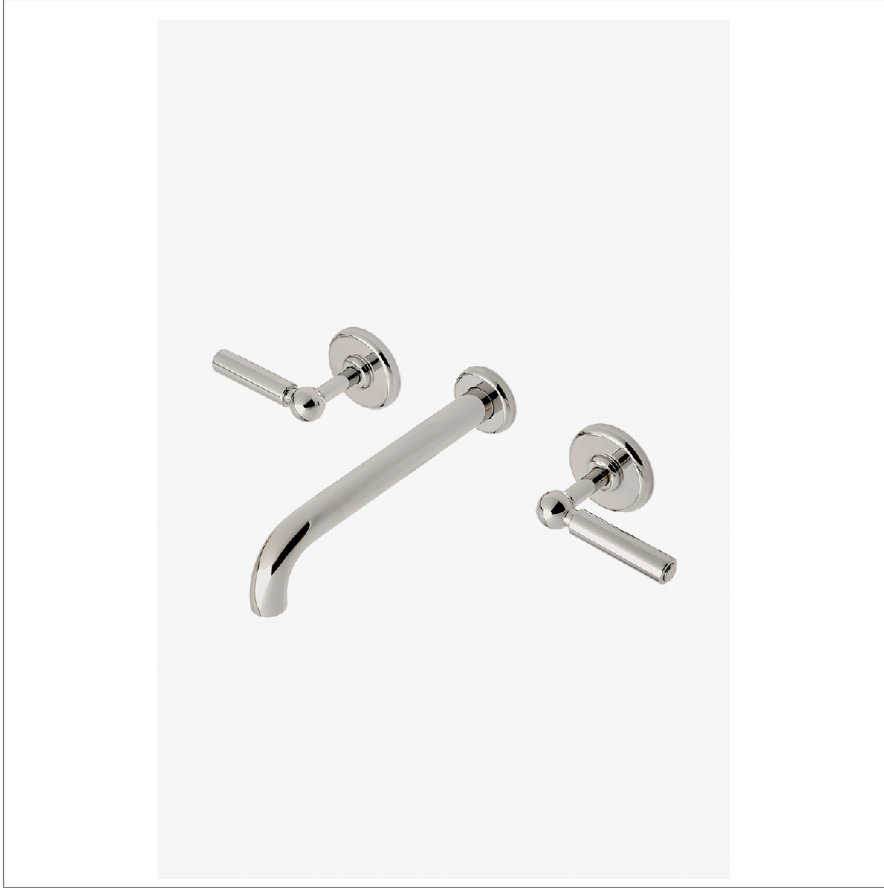


## LUDLOW

LDLS75

Ludlow Volta Wall Mounted Lavatory Faucet with Lever Handles



SHOWN IN LUDLOW VOLTA WALL MOUNTED LAVATORY FAUCET WITH LEVER HANDLES | LDLS75

### TECHNICAL DETAILS

Drain Depth Maximum: 2"  
Drain Depth Minimum: 0.38"  
Drain Hole Diameter: 1 1/2"  
Drain Style: USA Push Touch  
Fittings Hole Diameter: 1 3/8"  
Handle Spread Maximum: 8"  
Handle Spread Minimum: 8"  
Handle Turn Angle: Quarter Turn  
Inlet Connection Size: 1/2"  
Inlet Connection Type: Female NPT  
Inlet Supply Spread Maximum: 8"  
Inlet Supply Spread Minimum: 8"  
Number Of Holes: Three Hole  
Primary Material: Brass  
Restricted Maximum Flow Rate: 1.2 gpm  
Water Pressure Maximum: 85.0 psi  
Water Pressure Minimum: 20.0 psi  
Water Pressure Recommended: 45.0 psi

### INSPIRATION

Our fresh take on American industrial design comes in three styles, each of them clean-lined, and distinct to Waterworks.

### CODES & STANDARDS

### PRODUCT FEATURES

Lever Handles

Includes a Universal Push Touch Drain sized to fit US and Euro sink drain openings.

Requires Rough Valve, sold separately: GULV25 or GULV27. BSPP Threaded Adapter included for International Plumbing Installations.

Stocked in a Chrome, Nickel and Brass

Available in 1.2gpm (4.5L/min) flow rate

### CERTIFICATIONS

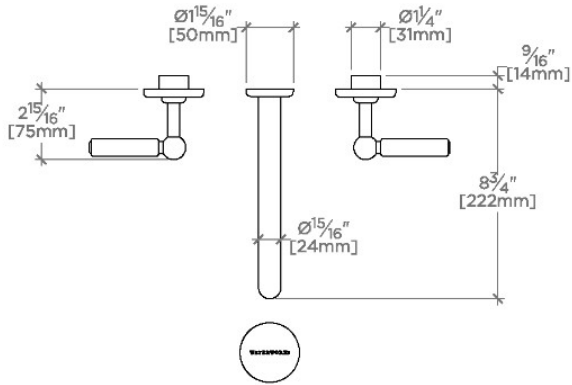
### PRODUCT (NOTES)

# WATERWORKS

## LUDLOW

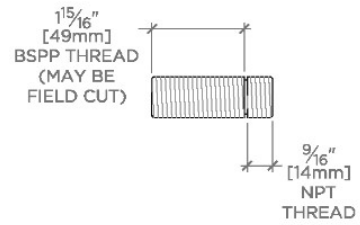
LDLS75

Ludlow Volta Wall Mounted Lavatory Faucet with Lever Handles

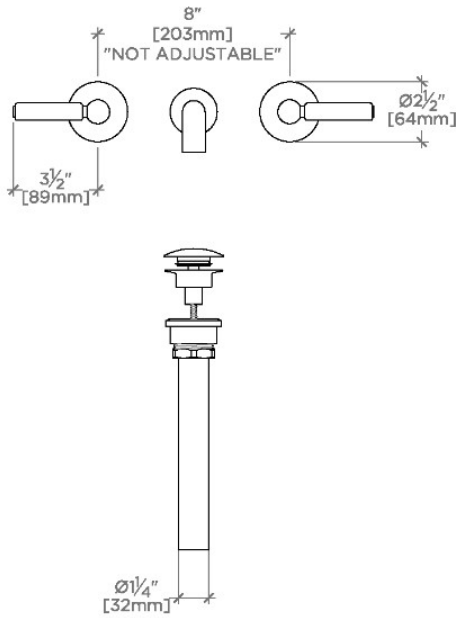


TOP VIEW

SCALE: 1/2"=1'-0"

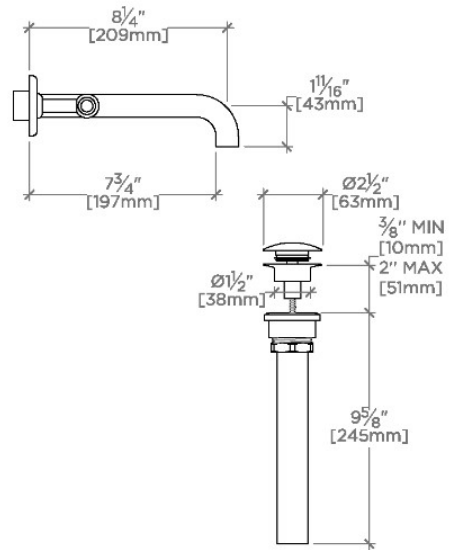


ADAPTER INCLUDED - INTERNATIONAL USE ONLY



FRONT VIEW

SCALE: 1/2"=1'-0"



SIDE VIEW

SCALE: 1/2"=1'-0"