

## LUDLOW

## LDTHSE

Ludlow Shinola Edition Thermostatic Control Valve Trim with Two-Tone Lever Handle



SHOWN IN LUDLOW SHINOLA EDITION THERMOSTATIC CONTROL VALVE TRIM WITH TWO-TONE LEVER HANDLE | LDTHSE

### TECHNICAL DETAILS

ADA Compliance: Yes  
 Depth/Width: 3 5/16"  
 Fittings Hole Diameter: 4 1/2"  
 Height: 6 3/4"  
 Length: 6 1/2"  
 Number Of Handles: One  
 Primary Material: Brass

### INSPIRATION

Our fresh take on American industrial design comes in three styles, each of them clean-lined, and distinct to Waterworks.

### CODES & STANDARDS

Code # LDTHSE: Complies with ASME A112.18.1/CSA B125.1, ADA. Certified with IAPMO, cUPC.

### PRODUCT FEATURES

Lever Handle

This style is stocked in Nickel/Shinola Steel

Requires 1/2" valve rough GUTH56 (USA) or GU56TH (UK) sold separately

Allows bather to adjust temperature of all waterway outlets, features anti-scald protection through an integrated high limit safety stop

### CERTIFICATIONS

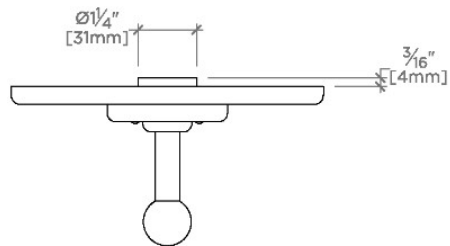


### PRODUCT (NOTES)

## LUDLOW

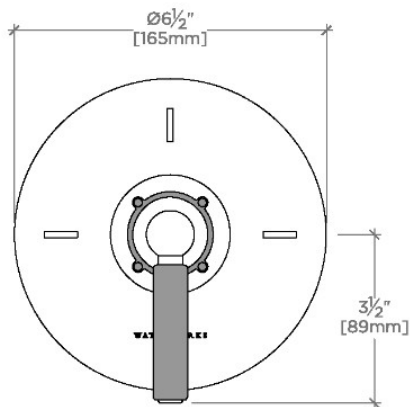
## LDTHSE

Ludlow Shinola Edition Thermostatic Control Valve Trim with Two-Tone Lever Handle



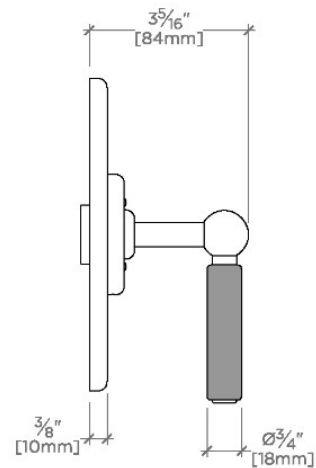
TOP VIEW

SCALE: 3"=1'-0"



FRONT VIEW

SCALE: 3"=1'-0"



SIDE VIEW

SCALE: 3"=1'-0"