

## LUDLOW

LDLST1

Ludlow Touchless Lavatory Faucet



SHOWN IN LUDLOW TOUCHLESS LAVATORY FAUCET | LDLST1

### TECHNICAL DETAILS

ADA Compliance: Yes  
Deck Thickness Maximum: 1 3/4"  
Deck Thickness Minimum: 3/16"  
Fittings Hole Diameter: 1 3/8"  
Inlet Connection Size: 1/2"  
Inlet Connection Type: Straight Male Threads  
Inlet Supply Spread Maximum: 1 1/8"  
Inlet Supply Spread Minimum: 1 1/8"  
Number Of Holes: One Hole  
Primary Material: Brass  
Restricted Maximum Flow Rate: 0.35 gpm  
Water Pressure Maximum: 85.0 psi  
Water Pressure Minimum: 20.0 psi  
Water Pressure Recommended: 45.0 psi

### INSPIRATION

Our fresh take on American industrial design comes in three styles, each of them clean-lined, and distinct to Waterworks.

### CODES & STANDARDS

NSF/ANSI/CAN 61:Q < 1, ASME A112.18.1/CSA B125.1, CEC, DOE, State of MA

### PRODUCT FEATURES

The compact dual-temp mixing valve is installed under the sink, water temperature can be adjusted according to user preference

Dual-temp mixing valve, infrared sensor and battery pack housed in streamlined box for seamless installation

Infrared sensor integrated into the spout base, detection distance: 4-3/4" [120mm]. Background suppression technology ensures detection reliability

Flow rate is limited to 0.35gpm (1.3L/min) to meet LEED requirements

Battery Operated with 6 AA batteries included. Lavatory drain and supply hoses sold separately

### CERTIFICATIONS

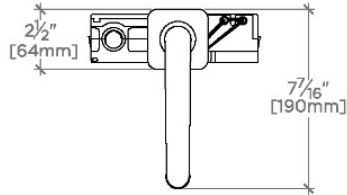


### PRODUCT (NOTES)

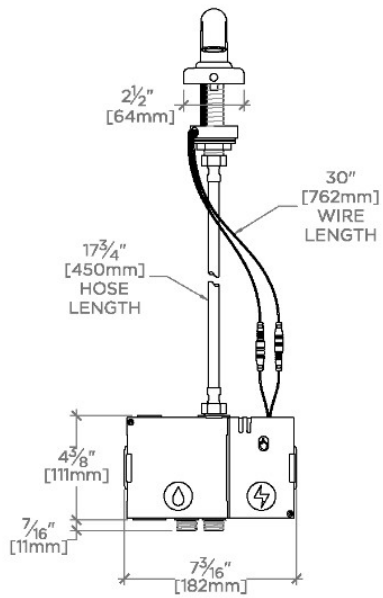
## LUDLOW

LDLST1

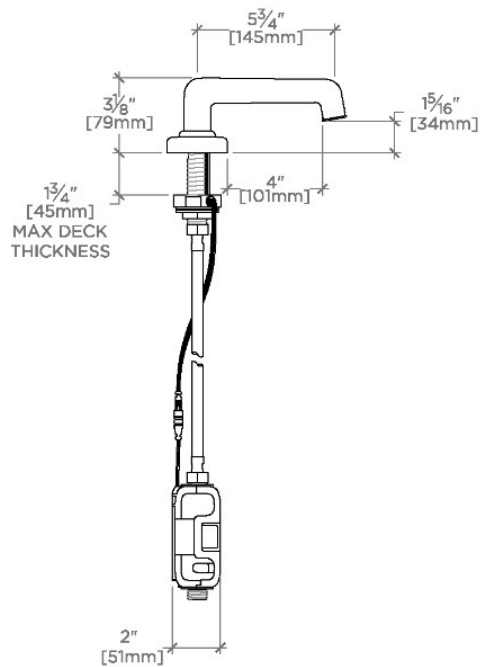
Ludlow Touchless Lavatory Faucet



TOP VIEW SCALE: 1/2"=1'-0"



FRONT VIEW SCALE: 1/2"=1'-0"



SIDE VIEW SCALE: 1/2"=1'-0"