

## GARRET

GTBP71

Garret 71" x 31 1/2" x 26" Freestanding Oval Cast Iron Bathtub with Slip Resistance, Metal Feet and Drain Plug Waste & Overflow



SHOWN IN WHITE TUB WITH MATTE NICKEL FEET

### TECHNICAL DETAILS

Bathing Well Sitting Angle: 110 degree\_angle  
Depth to Overflow: 15"  
Drain Depth Maximum: 1 1/4"  
Drain Hole Diameter: 2"  
Drain Style: Pull-out Stopper with Chain  
Escutcheon Primary Material: Brass  
Depth / Width: 31 1/2"  
Drain Depth Minimum: 0"  
Height: 26"  
Item Weight (Filled): 550.0 pounds  
Length: 71"  
Outlet Connection Size: 1 1/2"  
Outlet Connection Type: Tailpiece with Slip Fit Gasket  
Overflow Depth Maximum: 0.9"  
Overflow Depth Minimum: 0"  
Overflow Hole Diameter: 2"  
Primary Material: Cast Iron  
Suggested Application: Bath  
Waste and Overflow Horizontal Spread Maximum: 12 1/2"  
Waste and Overflow Horizontal Spread Minimum: 5 1/4"  
Waste and Overflow Vertical Spread Maximum: 22"  
Waste and Overflow Vertical Spread Minimum: 6"

### INSPIRATION

The design of the Garret family lives at the intersection of streamlined and efficient modernism, and functional simplicity. The lightly stained Oak allows the texture of the wood grain to reveal itself, providing warmth and texture to any room.



### PRODUCT (NOTES)

Dimensions of fixtures are nominal. Measure your actual product for rough-in details.

# WATERWORKS

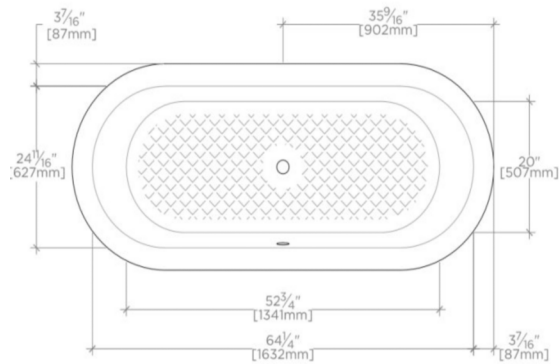
## GARRET

GTBP71

Garret 71" x 31 1/2" x 26" Freestanding Oval Cast Iron Bathtub with Slip Resistance, Metal Feet and Drain Plug Waste & Overflow

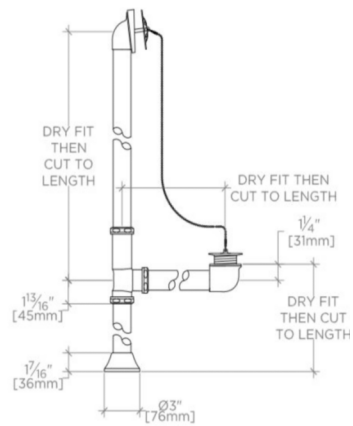


SLIP RESISTANCE PATTERN



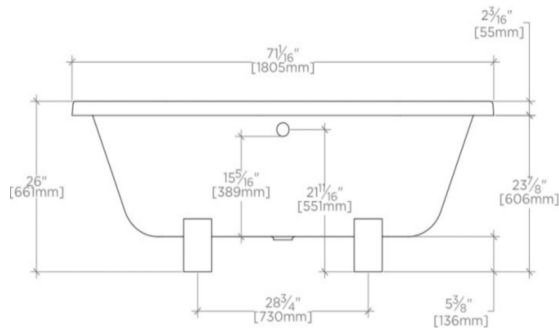
TOP VIEW

SCALE: 1/2"=1'-0"



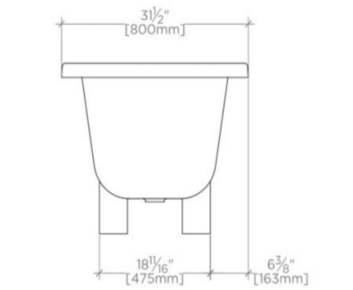
DRAIN SIDE VIEW

SCALE: 1"=1'-0"



SIDE VIEW

SCALE: 1/2"=1'-0"



END VIEW

SCALE: 1/2"=1'-0"