

## GARRET

GTVN02

Garret Double Vanity Packaged with Slab Top and Sinks 60" x 22"  
x 32 3/4"



SHOWN IN GRAY STAINED OAK

### TECHNICAL DETAILS

Adjustable Levelers / Feet: Y  
Bowl Shape: Rectangular  
Drain Hole Depth: 1 3/8"  
Drain Hole Diameter: 1 3/8"  
Depth / Width: 22"  
Height: 32 3/4"  
Length: 60"  
Sink Visibility: N  
Stain Resistance: N  
Suggested Application: Bath

### INSPIRATION

The design of the Garret family lives at the intersection of streamlined and efficient modernism, and functional simplicity. The lightly stained Oak allows the texture of the wood grain to reveal itself, providing warmth and texture to any room.

### PRODUCT FEATURES

Radius corners visually soften the profiles and reduce the mass.  
Versatility is expressed with both open and closed storage, a convenient pull out tray and marble top.  
Hardware is brushed metal and features a push touch mechanism.  
Includes sink and stocked stone top in Cararra.

### PRODUCT (NOTES)

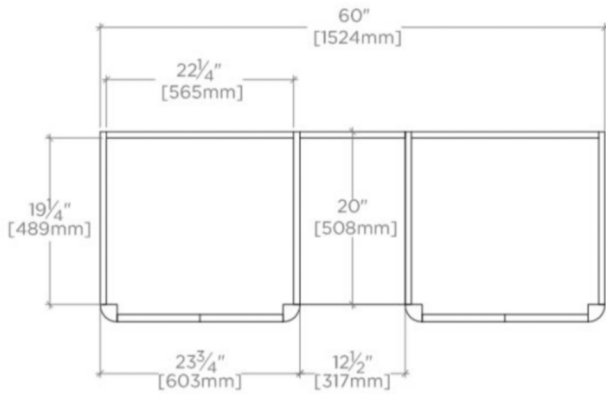
Slab and sink top are included

# WATERWORKS

## GARRET

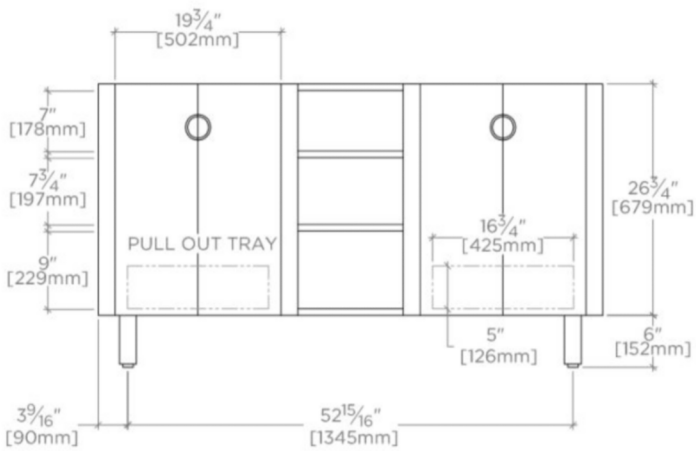
GTVN02

Garret Double Vanity Packaged with Slab Top and Sinks 60" x 22"  
x 32 3/4"



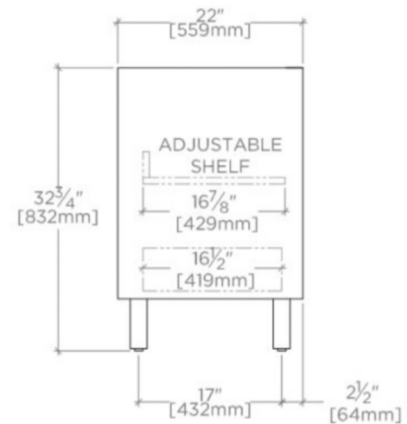
TOP VIEW

SCALE: 1/2"=1'-0"



FRONT VIEW

SCALE: 1/2"=1'-0"



SIDE VIEW

SCALE: 1/2"=1'-0"