

## FLYTE

FLHS01

Flyte Handshower On Hook with Metal Handle



SHOWN IN FLYTE HANDSHOWER ON HOOK WITH METAL HANDLE | FLHS01

### TECHNICAL DETAILS

Adjustable Versus Fixed Spray: Fixed Spray  
 Depth/Width: 3 9/16"  
 Diameter Of Head: 2 3/8"  
 Escutcheon Primary Material: Brass  
 Fittings Hole Diameter: 1 1/4"  
 Flow Restriction Options: 1.75  
 Handshower Spray Hose Length: 59"  
 Height: 9"  
 Inlet Connection Size: 1/2"  
 Inlet Connection Type: Female NPT  
 Installation Type: Wall Mounted  
 Integrated Diverter: N  
 Length: 3"  
 Pivot: N  
 Primary Material: Brass  
 Suggested Application: Bath  
 Water Pressure Maximum: 85.0 psi  
 Water Pressure Minimum: 20.0 psi  
 Water Pressure Recommended: 45.0 psi

### INSPIRATION

Pure Modernism. Like minimalist works of art, the elegant proportions of these light, fluid elements bring sculptural reference to a room.

### CODES & STANDARDS

FLHS01X, FLHS01X, ASME A112.18.1/CSA B125.1, Waterworks Handshowers use check valves compliant to ASME A112.18.3 for backflow protection. State of MA

### PRODUCT FEATURES

This item is stocked in a Chrome and Nickel finishes.

Available in 1.75gpm (6.6L/min) flow rate

### CERTIFICATIONS

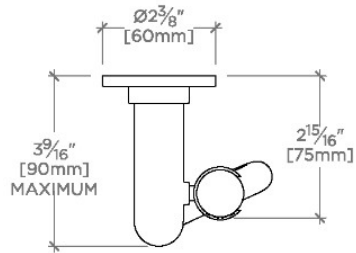


### PRODUCT (NOTES)

## FLYTE

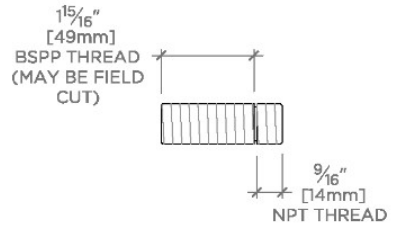
FLHS01

Flyte Handshower On Hook with Metal Handle

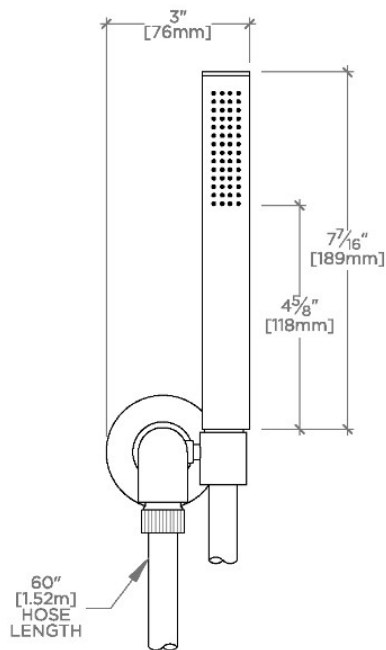


TOP VIEW

SCALE: 3"=1'-0"

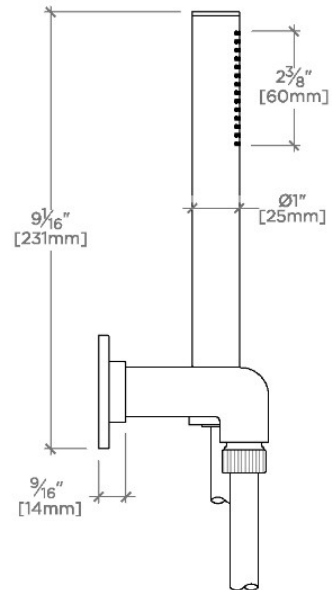


ADAPTER INCLUDED - INTERNATIONAL USE ONLY



FRONT VIEW

SCALE: 3"=1'-0"



SIDE VIEW

SCALE: 3"=1'-0"