

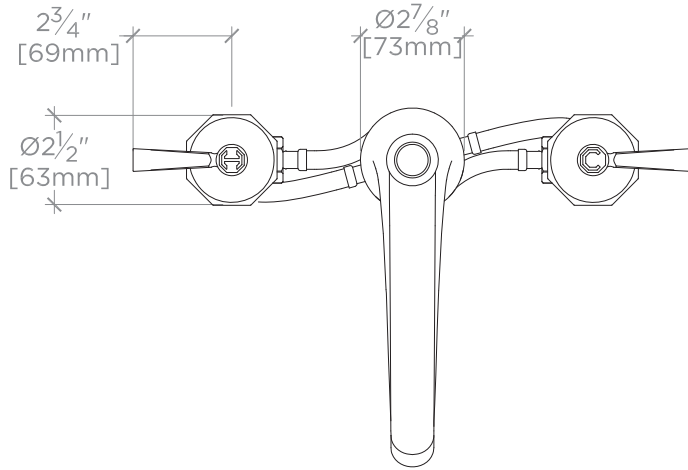
PRODUCT SUPPORT
800.927.2120
WATERWORKS.COM

COMMERCIAL ONLY Transit Deck Mounted Low Profile Concealed Tub Filler without Handshower and Roadster Lever Handles

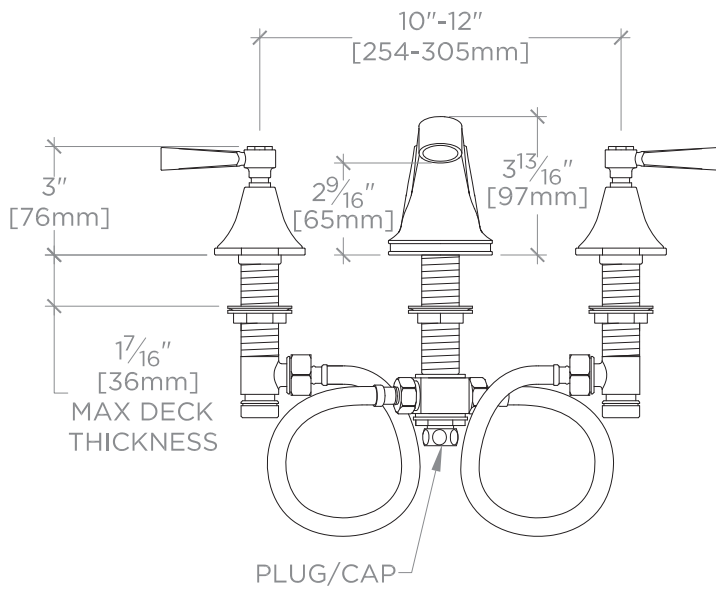
STYLE No. ZTTF03

BASE STYLE No. TRTF10

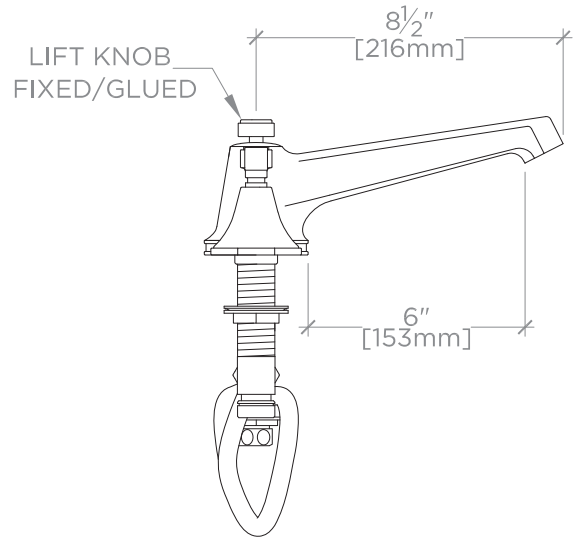
All dimensions are based on original specifications and are subject to change and variation. Please consult your Design Associate for current specifications.



TOP VIEW



FRONT VIEW



SIDE VIEW

SPECIFICATIONS:

Handle Turn Angle: Quarter Turn
Spout Swivel: N
Fittings Hole Diameter: 1-1/2" [38mm]
Inlet Connection: 3/4" Male NPT Adapter
Water Pressure Maximum: 85.0 psi [6.0 bar]
Water Pressure Minimum: 20.0 psi [1.5 bar]
Water Pressure Recommended: 45.0 psi [3.0 bar]

NOTES: