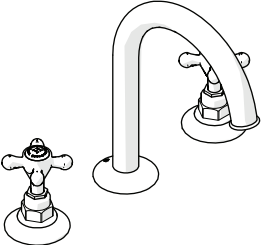
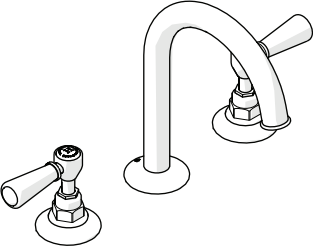


WATERWORKS

INSTALLATION GUIDELINES

STYLE No. HG20LS, HG20LS+, HG30LS, HG30LS+
Highgate Gooseneck Lavatory Faucet

	STYLE	DESCRIPTION
	HG20LS, HG20LS+	Highgate Gooseneck Lavatory Faucet with Cross Handles
	HG30LS, HG30LS+	Highgate Gooseneck Lavatory Faucet with White Porcelain Lever Handles

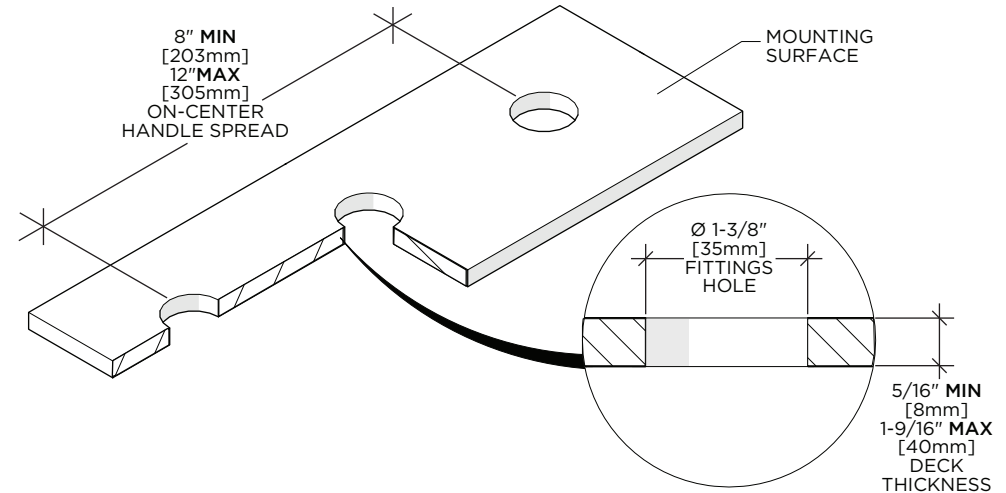
IMPORTANT:

- To ensure this product is installed properly, you must read and follow these guidelines.
- The owner/user of this product must keep this information for future reference.
- This product must be installed by a professional licensed contractor.
- Be sure your installation conforms to federal, state, and local codes. In the State of Massachusetts, all installations must comply with the rules and regulations set forth within 248 CMR.
- Inspect this product to ensure you have all the parts required for proper installation.
- Product is sold partially assembled but shown fully disassembled for illustrative and service purposes only.
- Use only a strap wrench or protected/smooth-jaw wrench on ANY finished surface
- **CAUTION:**
 - Flushing the SUPPLY VALVES (sold separately) prior to installing the LAVAOTRY FAUCET is recommended. Flushing can prevent damage to the CARTRIDGES and other internal components.
 - This product is supplied with a USA size DRAIN and is ONLY compatible with SINKS that have a standard US drain hole of 1/2" [38mm]. †

- The use of certain plumber's putty may stain stone or tile surfaces.
- If further assistance is required, please contact Product Support at 1-800-927-2120 Monday through Friday, 8am - 6pm EST.
- Refer to the separate Service Parts Documents for available replacement parts.

TECHNICAL DETAILS:

DETAIL	SPECIFICATION
DRAIN DEPTH	1-3/8" [35mm] MIN 2" [51mm] MAX †
DRAIN HOLE DIAMETER	1-1/2" [38mm] †
DRAIN STYLE	LIFT & TURN
HANDLE TURN ANGLE	QUARTER TURN
INLET CONNECTION	1/2" MALE WITH SUPPLY NUT
SPOUT REACH	6-1/16" [154mm]
WATER PRESSURE	85psi [6.0 bar] MAX 20psi [1.5 bar] MIN
WATER PRESSURE RECOMMENDED	45psi [3.0 bar]

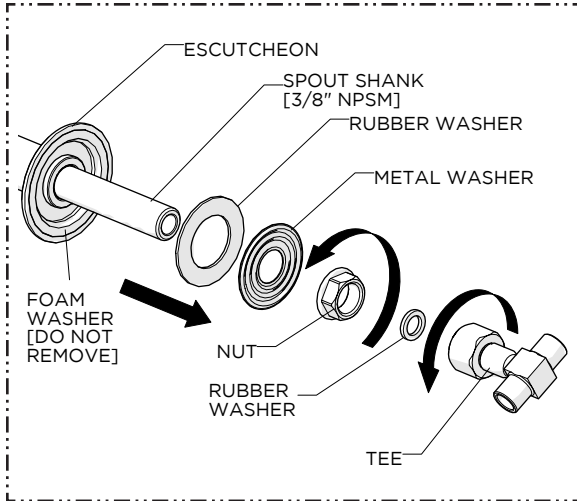


- † UK Style No. **HG20LS** and **HG30LS** are supplied with a European sized DRAIN.
 - DRAIN DEPTH: 25mm **MIN** - 70mm **MAX**
 - DRAIN HOLE DIAMETER: Ø44mm

WATERWORKS

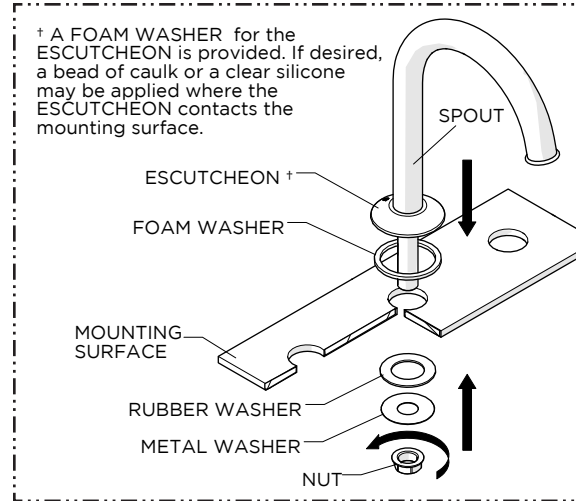
INSTALLATION GUIDELINES

STYLE No. HGLS20, HGLS30, HG20LS, HG30LS
Highgate Gooseneck Lavatory Faucet

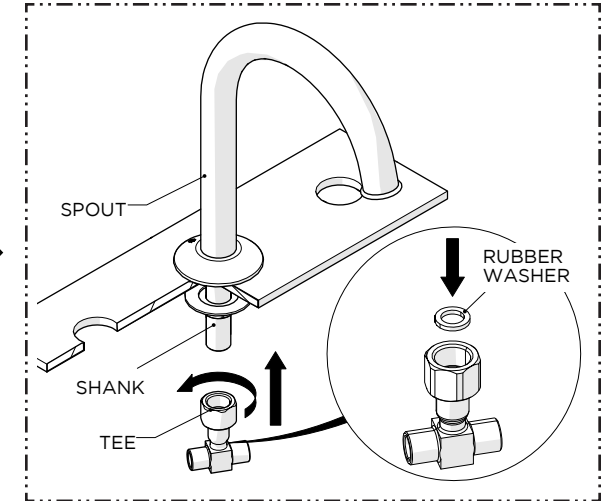


1. Remove the TEE, NUT and LOWER DECK WASHERS from the SPOUT SHANK.

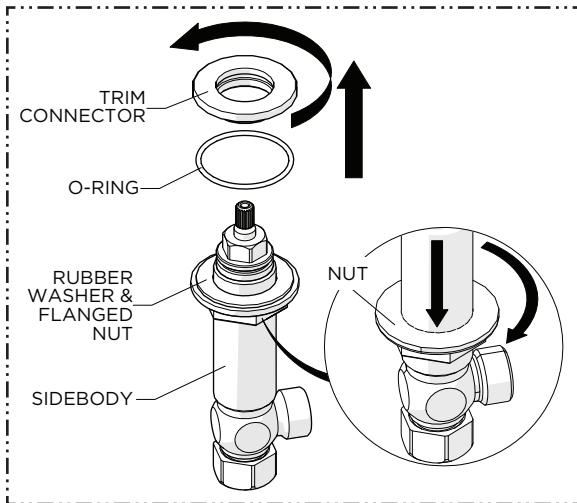
NOTE: Do **NOT** remove the FOAM WASHER beneath the ESCUTCHEON or discard the RUBBER WASHER provided with the TEE.



2. Insert the SHANK through the hole on the mounting surface, making sure the FOAM WASHER is beneath the ESCUTCHEON, then re-install the LOWER DECK WASHERS and securely tighten the NUT.

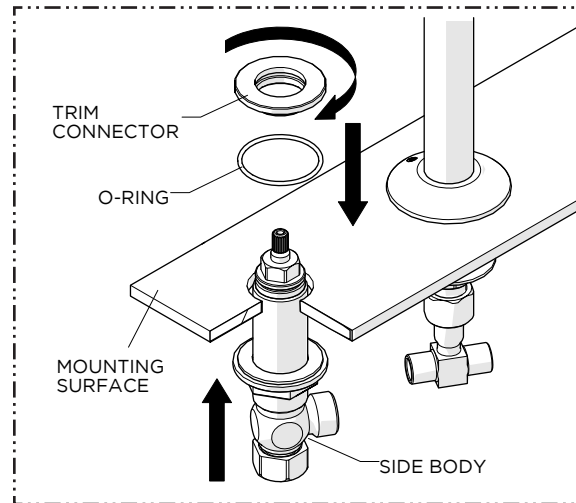


3. Thread and securely tighten the TEE onto the SHANK making sure to use the RUBBER WASHER provided.

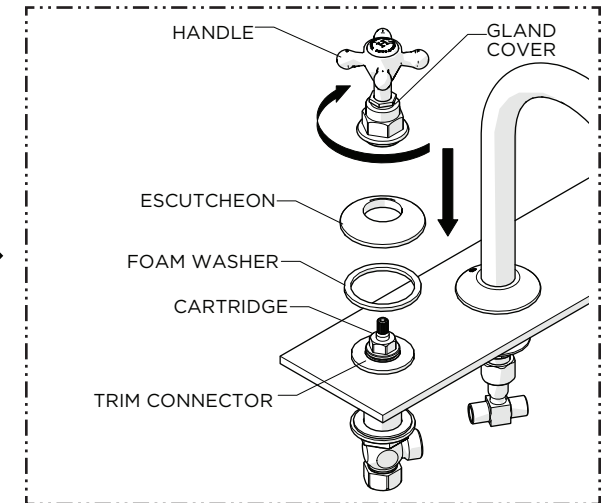


4. Unthread and remove the TRIM CONNECTOR from the SIDE BODY then fully thread the NUT down the SIDE BODY.

NOTE: Do **NOT** remove the RUBBER WASHER or discard the O-RING.



5. Insert the SIDE BODY through the hole on the mounting surface from below then, using the O-RING provided, thread the TRIM CONNECTOR back onto the SIDE BODY until it stops and let it rest on the mounting surface.

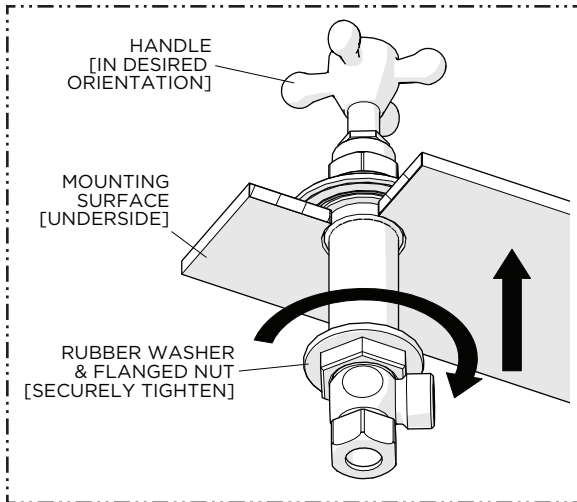


6. Making sure the FOAM WASHER is beneath the ESCUTCHEON, place the ESCUTCHEON over the TRIM CONNECTOR then insert the GLAND COVER into the ESCUTCHEON and thread it onto the CARTRIDGE until it stops.

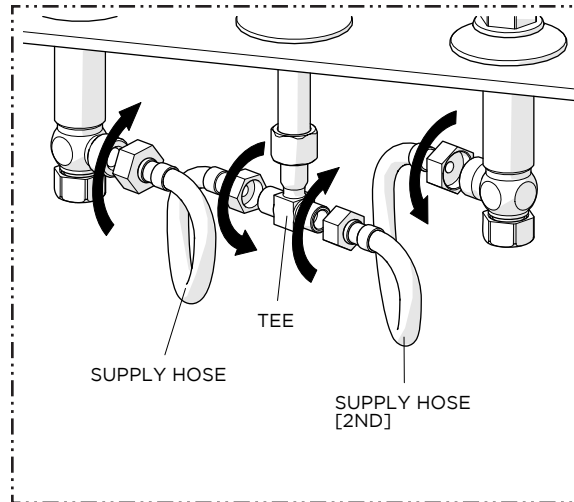
WATERWORKS

INSTALLATION GUIDELINES

STYLE No. HGLS20, HGLS30, HG20LS, HG30LS
Highgate Gooseneck Lavatory Faucet



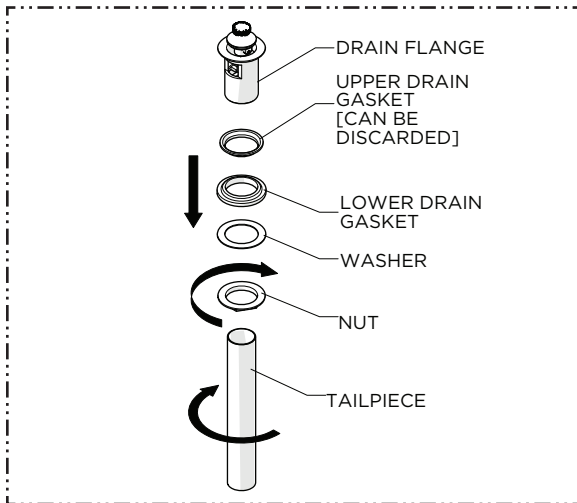
7. Ensure the HANDLE is in desired orientation then thread and securely tighten the NUT against the underside of the mounting surface.
- **NOTE: REPEAT STEPS 4 THROUGH 7 TO INSTALL THE SECOND (2ND) HANDLE.**



8. Connect the SIDEBODIES to the TEE using the SUPPLY HOSES provided. Securely tighten the HOSES and ensure they are not pinched/kinked.

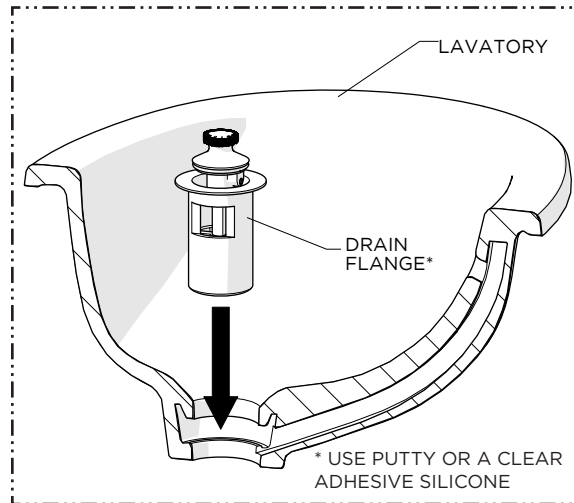
CAUTION:

- FOR USA SIZED DRAIN INSTALLATIONS PROCEED TO STEP 9 (HGSL20 & HGSL30 ONLY).
- FOR EUROPEAN SIZED DRAIN INSTALLATIONS PROCEED TO STEP 12 (HG20LS & HG30LS ONLY).

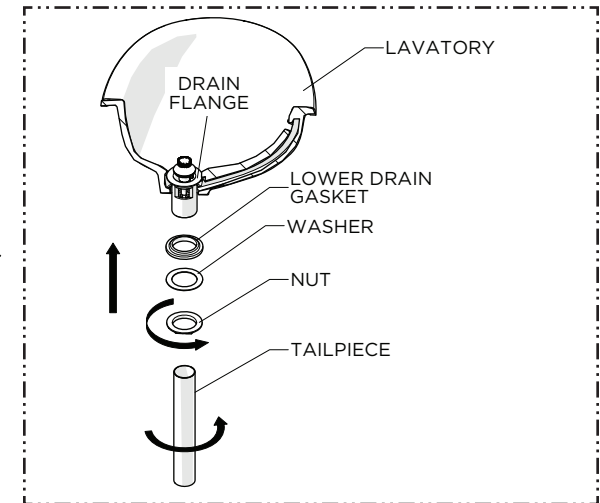


9. Unthread and remove the TAILPIECE, NUT, WASHER, and DRAIN GASKETS from the DRAIN FLANGE.

CAUTION: Do NOT discard the LOWER DRAIN GASKET



10. Set the DRAIN FLANGE into the LAVATORY (sold separately) using putty or a clear adhesive silicone.

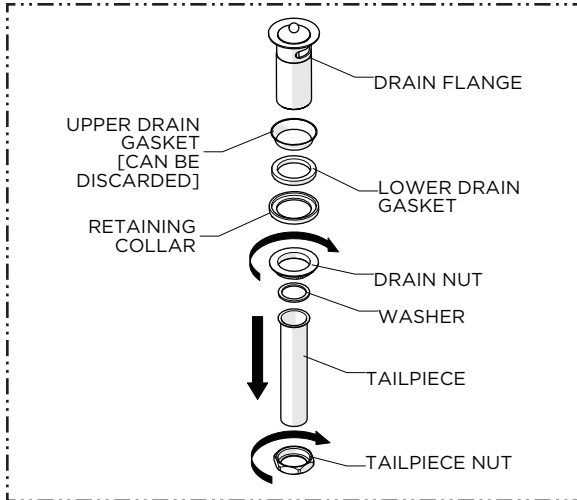


11. Re-attach the LOWER DRAIN GASKET, WASHER, and NUT onto the DRAIN FLANGE then thread and securely tighten the NUT, making sure the GASKET makes a full seal on the underside of the lavatory, and re-attach the TAILPIECE.

➤ **NOTE: PROCEED TO STEP 15.**

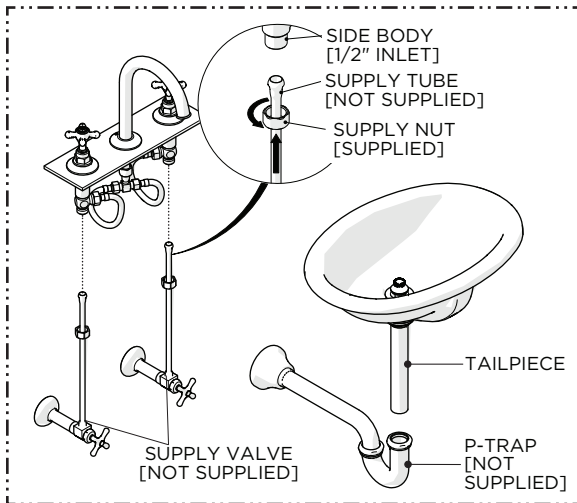
WATERWORKS INSTALLATION GUIDELINES

STYLE No. HGLS20, HGLS30, HG20LS, HG30LS
Highgate Gooseneck Lavatory Faucet

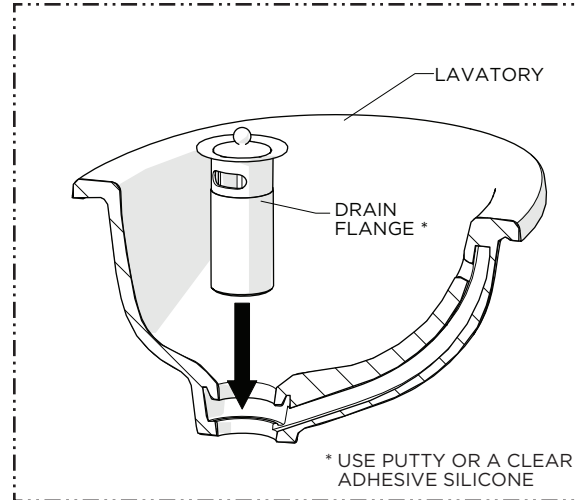


12. Unthread and remove the TAILPIECE NUT, TAILPIECE and WASHER from the DRAIN FLANGE then unthread and remove the DRAIN NUT, RETAINING COLLAR, and DRAIN GASKETS.

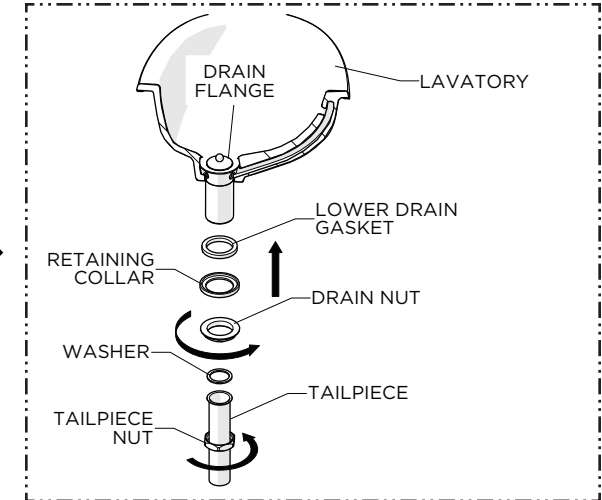
CAUTION: Do **NOT** discard the LOWER DRAIN GASKET.



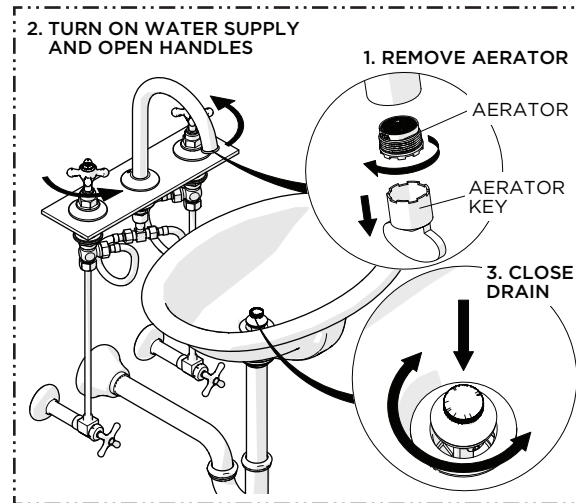
15. Make final P-TRAP (sold separately) and SUPPLY VALVE (Sold Separately) connections.



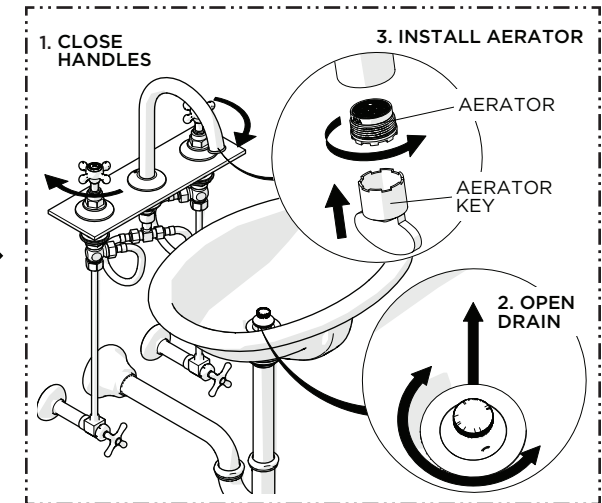
13. Set the DRAIN FLANGE into the LAVATORY (sold separately) using putty or a clear silicone.



14. Re-attach the LOWER DRAIN GASKET, RETAINING COLLAR, and NUT onto the DRAIN FLANGE then thread and securely tighten the NUT, making sure the GASKET makes a full seal on the underside of the LAVATORY, and re-attach the TAILPIECE using the WASHER and NUT provided.



16. Remove the AERATOR, turn on the water supply and open the HANDLES to flush out the supply lines, and inspect all the connections for leaks then close the DRAIN to ensure it functions properly.

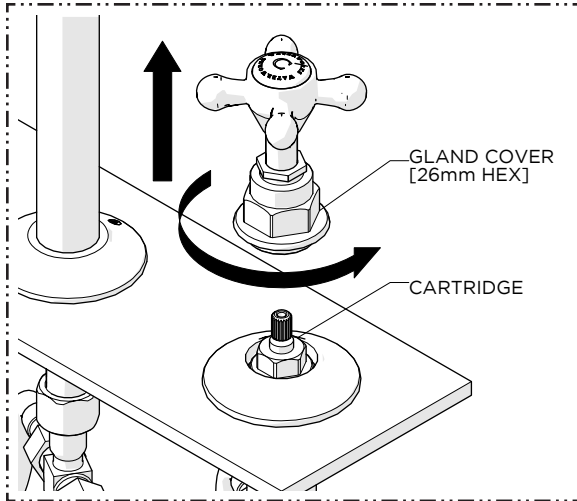


17. Close the HANDLES, open the DRAIN to drain the water, and re-install the AERATOR.

WATERWORKS

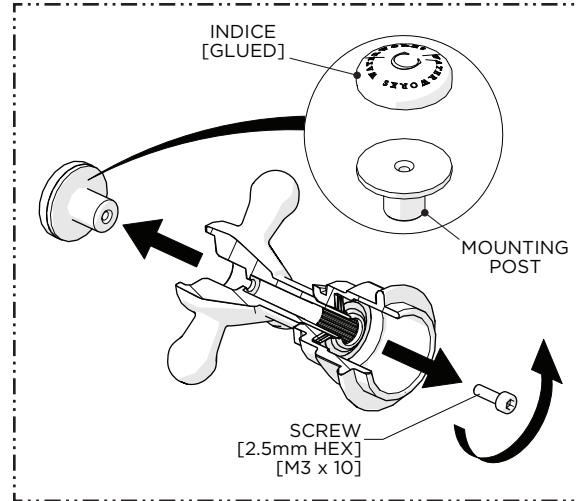
SERVICE GUIDELINES

STYLE No. HGLS20, HGLS30, HG20LS, HG30LS
Highgate Gooseneck Lavatory Faucet



SERVICING INDICE:

1. Unthread the GLAND COVER from the CARTRIDGE to remove the HANDLE.



2. Unthread the SCREW inside the GLAND COVER to remove the INDICE.

NOTE: The INDICE is glued to a MOUNTING POST.