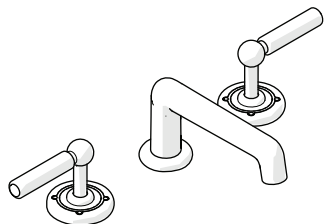


INSTALLATION GUIDELINES



STYLE No. LDLSSE, LDSELS
Ludlow Shinola Edition Lavatory Faucet
with Two-Tone Lever Handles

IMPORTANT:

- To ensure this product is installed properly, you must read and follow these guidelines.
- The owner/user of this product must keep this information for future reference.
- This product must be installed by a professional licensed contractor.
- Be sure your installation conforms to federal, state, and local codes. In the State of Massachusetts, all installations must comply with the rules and regulations set forth within 248 CMR.
- Inspect this product to ensure you have all the parts required for proper installation.
- **CAUTION:** This product is supplied with a USA sized DRAIN and is ONLY compatible with SINKS that have a standard US drain hole of 1-1/2" [38mm]. †
- Product is sold partially assembled but shown fully disassembled for illustrative and service purposes only.
- Use only a strap wrench or protected/smooth-jaw wrench on any finished surface.
- The use of certain plumber's putty may stain stone or tile surfaces.
- If further assistance is required, please contact Product Support at 1-800-927-2120 Monday through Friday, 8am - 6pm EST.
- Refer to the separate Service Parts Documents for available replacement parts.

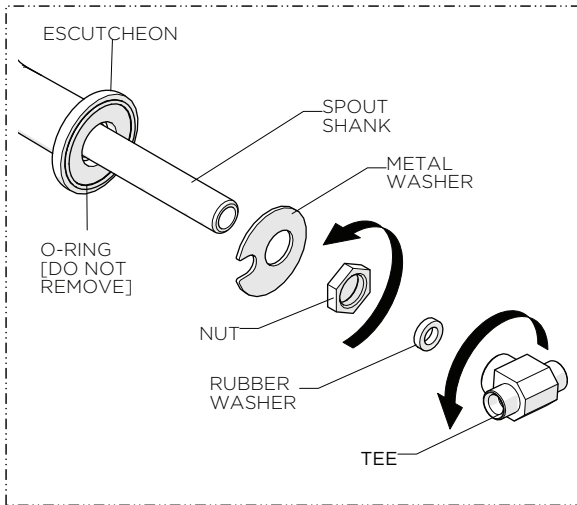
TECHNICAL DETAILS:

DETAIL	SPECIFICATION
DECK THICKNESS	7/16" [11mm] MIN 2-7/16" [62mm] MAX
DRAIN DEPTH	1-3/8" [35mm] MIN 2" [51mm] MAX †
DRAIN HOLE DIAMETER	Ø1-1/2" [38mm] †
DRAIN STYLE	PUSH TOUCH
FITTINGS HOLE DIAMETER	Ø1-3/8" [35mm]
HANDLE SPREAD	8" [203mm] MIN 12" [305mm] MAX
HANDLE TURN ANGLE	QUARTER TURN
INLET CONNECTION	1/2" MALE WITH SUPPLY NUT
SPOUT REACH	5-3/4" [145mm]
WATER PRESSURE RANGE	20psi [1.5 bar] MIN 85psi [6.0 bar] MAX
WATER PRESSURE RECOMMENDED	45psi [3.0 bar]

† UK Style No. **LDSELS** is supplied with a European sized DRAIN.

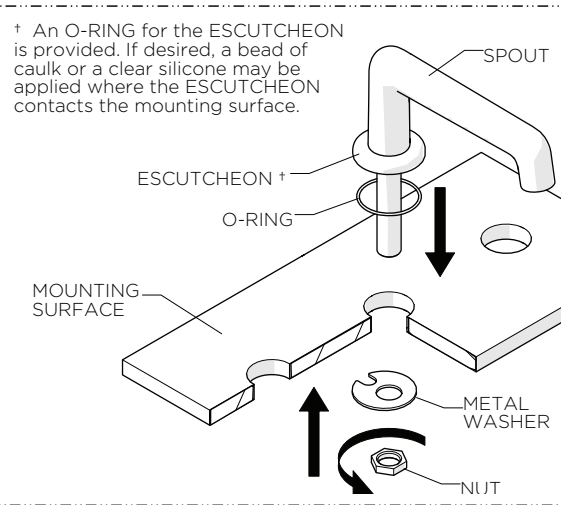
- DRAIN DEPTH: 10mm MIN - 51mm MAX
- DRAIN HOLE DIAMETER: Ø44mm

INSTALLATION GUIDELINES

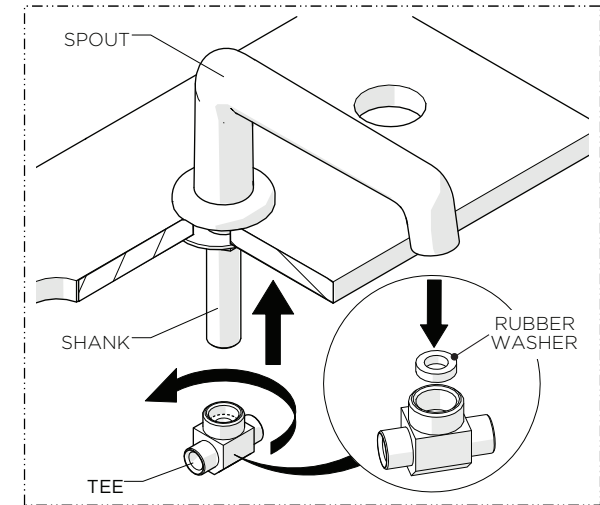


1. Remove the TEE, NUT, and lower deck WASHERS from the SPOUT SHANK.

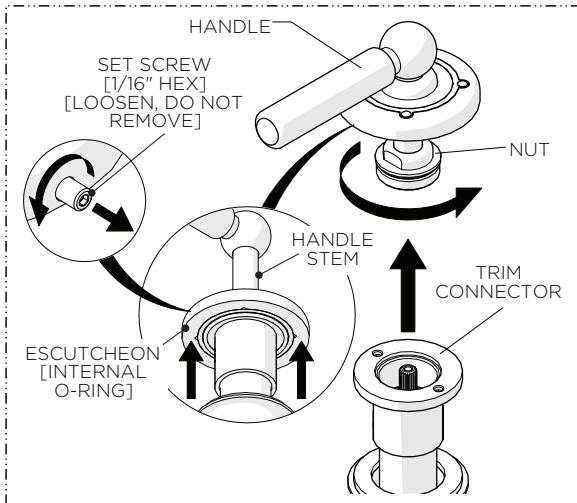
NOTE: Do NOT remove the O-RING beneath the ESCUTCHEON or discard the RUBBER WASHER provided with the TEE



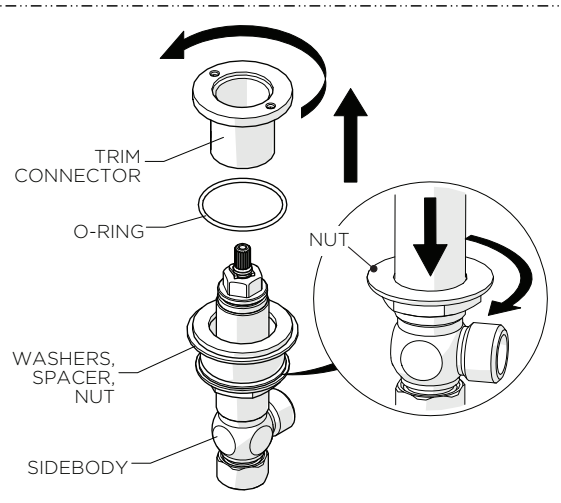
2. Insert the SHANK through the hole on the mounting surface making sure the O-RING provided is beneath the ESCUTCHEON then re-attach the lower deck WASHERS and securely tighten the NUT.



3. Thread and securely tighten the TEE onto the SHANK making sure to use the RUBBER WASHER provided.

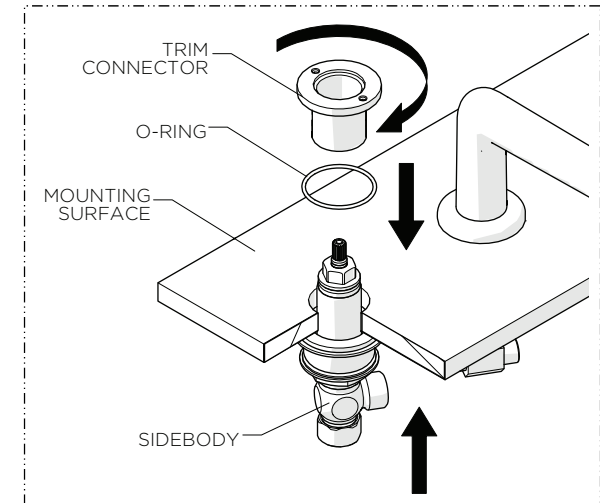


4. Loosen, but do NOT remove the SET SCREW at the base of the ESCUTCHEON then slide the ESCUTCHEON up the HANDLE STEM to expose the RETAINING NUT.



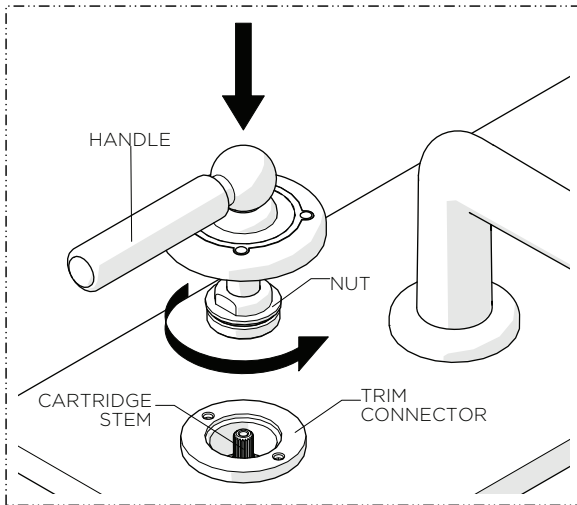
5. Unthread and remove the TRIM CONNECTOR with the O-RING beneath it then fully thread the NUT down the SIDEBODY.

NOTE: Do NOT remove the lower deck WASHERS and SPACER.

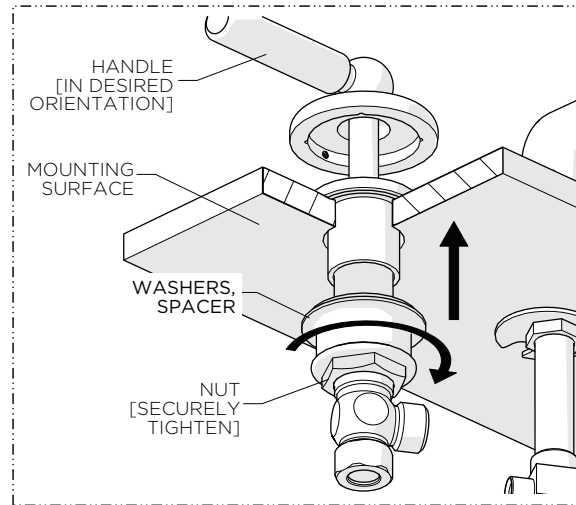


6. Using the O-RING provided, thread the TRIM CONNECTOR back onto the SIDEBODY until it stops then let it rest on the mounting surface.

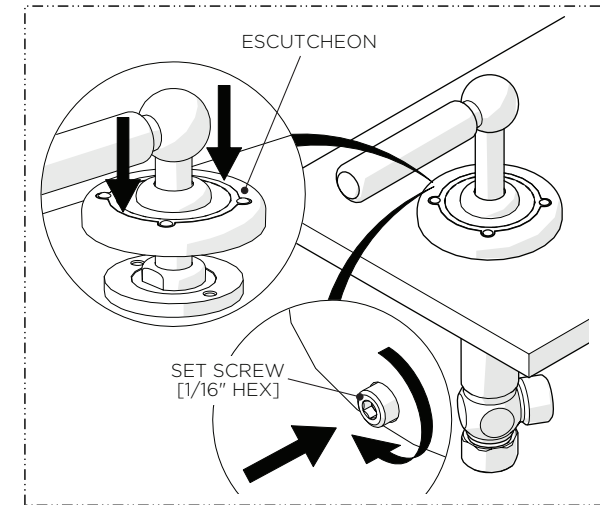
INSTALLATION GUIDELINES



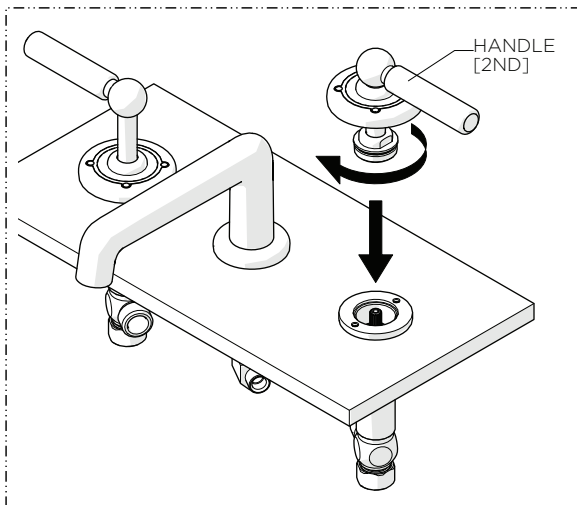
7. Place the HANDLE over the CARTRIDGE STEM then thread and securely tighten the RETAINING NUT into the TRIM CONNECTOR.



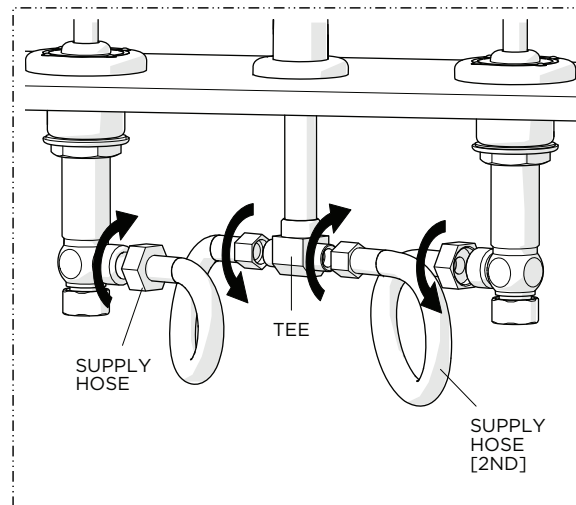
8. Ensure the HANDLE is in the desired orientation then thread and securely tighten the NUT against the underside of the mounting surface.



9. Slide the ESCUTCHEON down the HANDLE STEM until it stops then thread and securely tighten the SET SCREW.



10. Repeat Steps 4 through 9 to install the second (2ND) HANDLE.

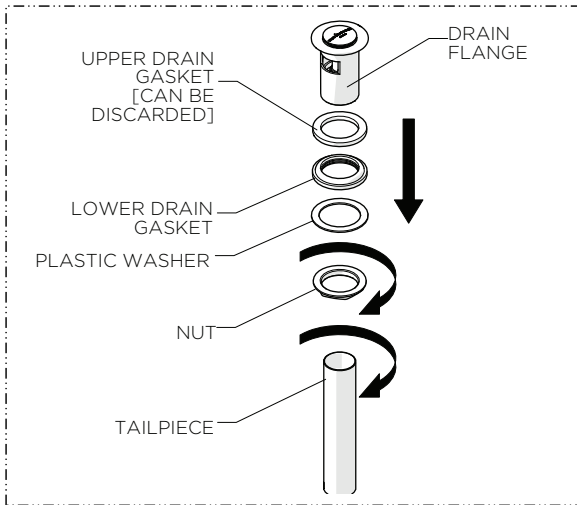


11. Connect the SIDEBODIES to the TEE using the SUPPLY HOSES provided. Securely tighten the HOSES and ensure they are not pinched/kinked.

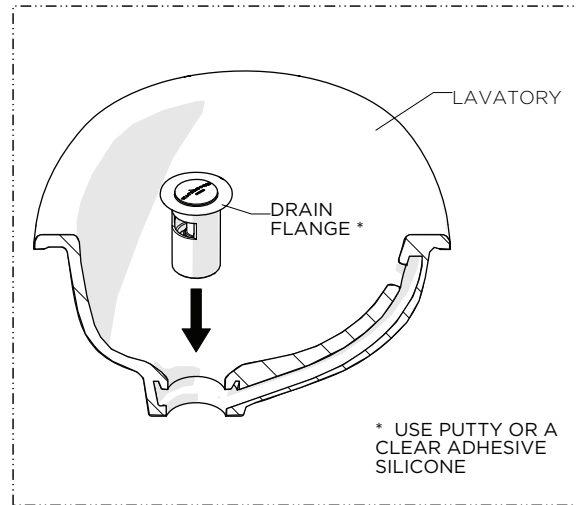
CAUTION:

- FOR USA SIZED DRAIN INSTALLATIONS PROCEED TO STEP 12 (LDLSSE - ONLY).
- FOR EUROPEAN SIZED DRAIN INSTALLATIONS PROCEED TO STEP 15 (LDSELS - ONLY).

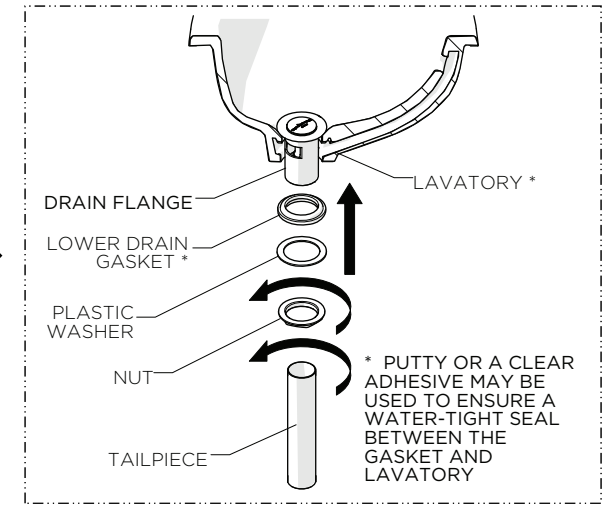
INSTALLATION GUIDELINES



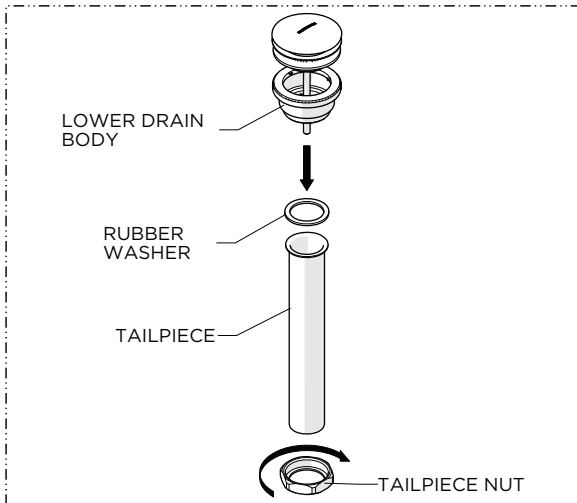
12. Unthread and remove the TAILPIECE, NUT, PLASTIC WASHER, and DRAIN GASKETS from the DRAIN FLANGE.
CAUTION: Do **NOT** discard the LOWER DRAIN GASKET



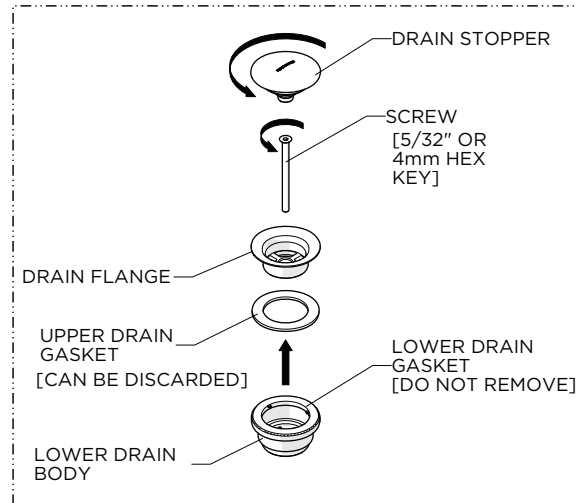
13. Set the DRAIN FLANGE into the lavatory (sold separately) using putty or a clear silicone.
*** USE PUTTY OR A CLEAR ADHESIVE SILICONE**



14. Re-attach the LOWER DRAIN GASKET, PLASTIC WASHER, and NUT onto the DRAIN FLANGE then thread and securely tighten the NUT, making sure the GASKET makes a full seal on the underside of the lavatory, and re-attach the TAILPIECE.
*** PUTTY OR A CLEAR ADHESIVE MAY BE USED TO ENSURE A WATER-TIGHT SEAL BETWEEN THE GASKET AND LAVATORY**

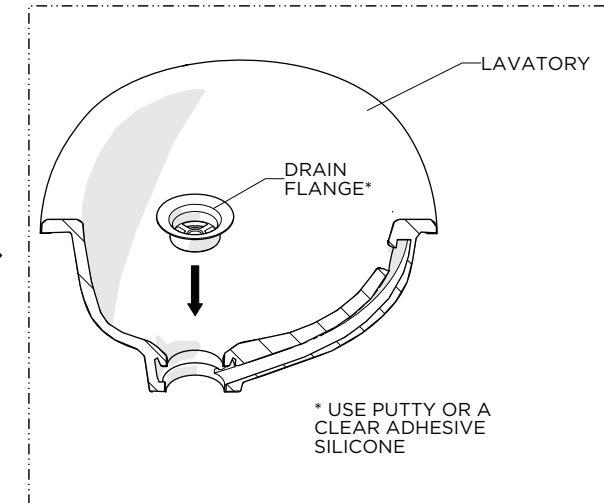


15. Remove the TAILPIECE from the LOWER DRAIN BODY.



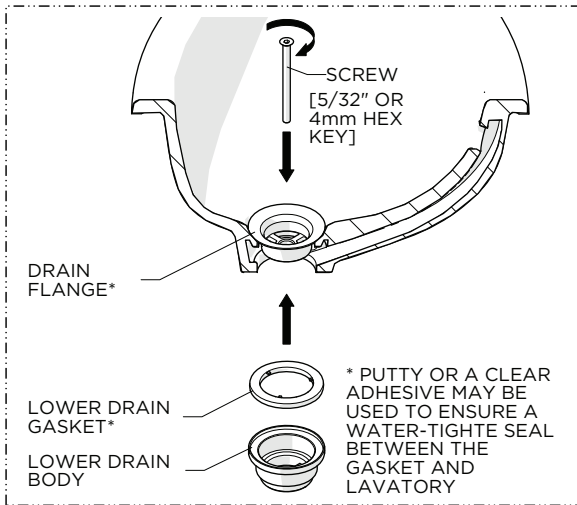
16. Unthread and remove the DRAIN STOPPER and LOWER DRAIN BODY from the DRAIN FLANGE. The UPPER DRAIN GASKET can be discarded.

CAUTION: Do **NOT** discard the LOWER DRAIN GASKET.

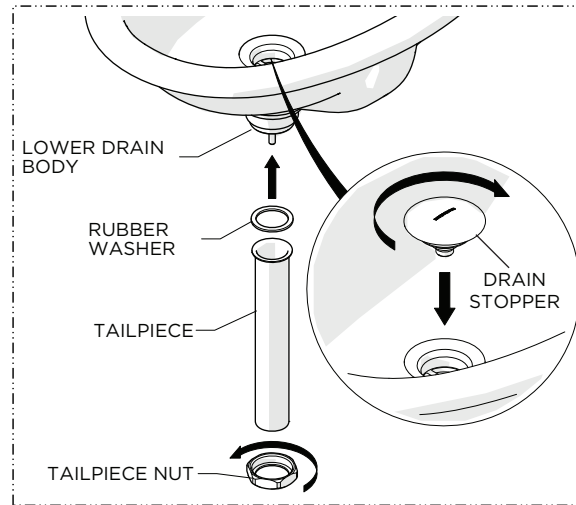
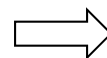


17. Set the DRAIN FLANGE in the LAVATORY (sold separately) using putty or a clear adhesive silicone.
*** USE PUTTY OR A CLEAR ADHESIVE SILICONE**

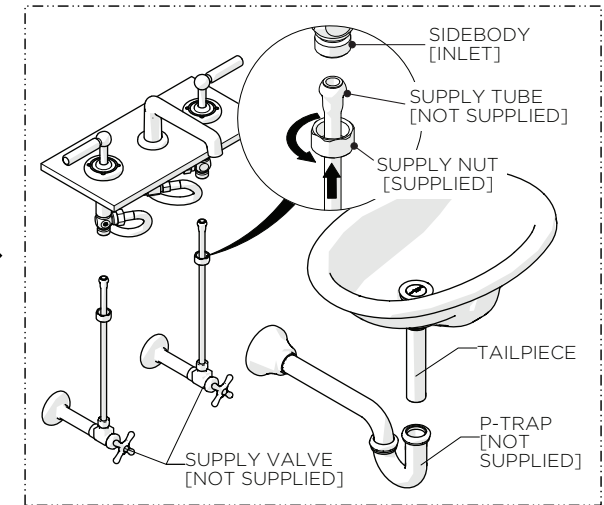
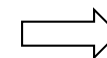
INSTALLATION GUIDELINES



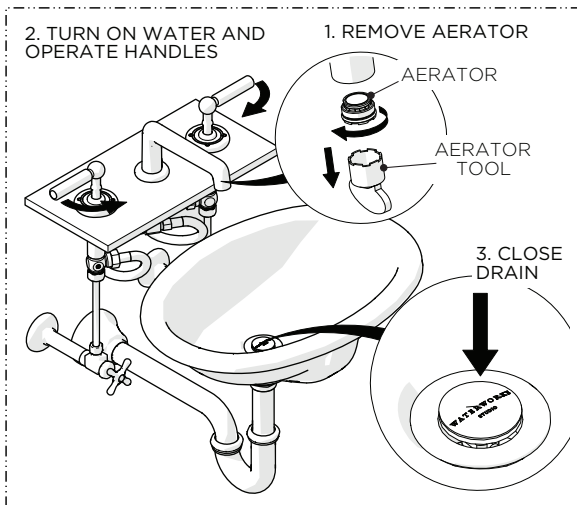
18. Re-install the LOWER DRAIN BODY making sure to use the GASKET provided. Ensure the GASKET makes a full seal on the underside of the lavatory then securely tighten the SCREW.



19. Re-install the DRAIN STOPPER then the TAILPIECE using the WASHER and NUT provided.



20. Make final P-TRAP (sold separately) and SUPPLY VALVE (sold separately) connections.



21. Remove the AERATOR, turn on the water to flush out the supply lines, inspect all connections for leaks and close the DRAIN to ensure it functions properly. Turn off and drain the water then reinstall the AERATOR.