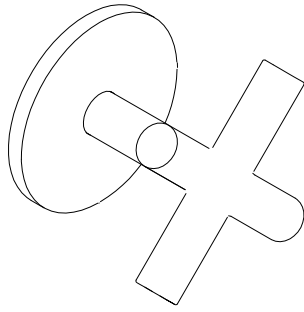
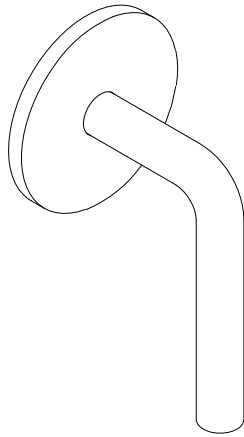


Metal Cross Handle
STYLE No. FLVC40
CODE No. FLSV40



Metal Lever Handle
STYLE No. FLVC50
CODE No. FLSV50



SPECIFICATIONS:

Volume Control Valve Rough-in Depth:

GUVC18R (GUSV18R) or GUVC19R (GUSV19R):

3/4" MIN - 4 1/4" MAX

2-Way Diverter with Shutoff Valve Rough-in Depth:

GUDV14R (GUSV14R): 3/4" MIN - 4 1/4" MAX

2-Way Diverter without Shutoff Valve Rough-in Depth:

GUDV23R (GUSV23R): 3/8" MIN - 3 5/8" MAX

REQUIRED PLUMBING DETAILS:

Universal 1/2" Volume Control Valve (Clockwise Close)

STYLE No. GUVC18R

CODE No. GUSV18R or,

Universal 1/2" Volume Control Valve (Counter-Clockwise Close)

STYLE No. GUVC19R

CODE No. GUSV19R or,

Universal 2-Way Diverter with Shutoff Valve

STYLE No. GUDV14R

CODE No. GUSV14R or,

Universal 2-Way Diverter without Shutoff Valve

STYLE No. GUDV23R

CODE No. GUSV23R

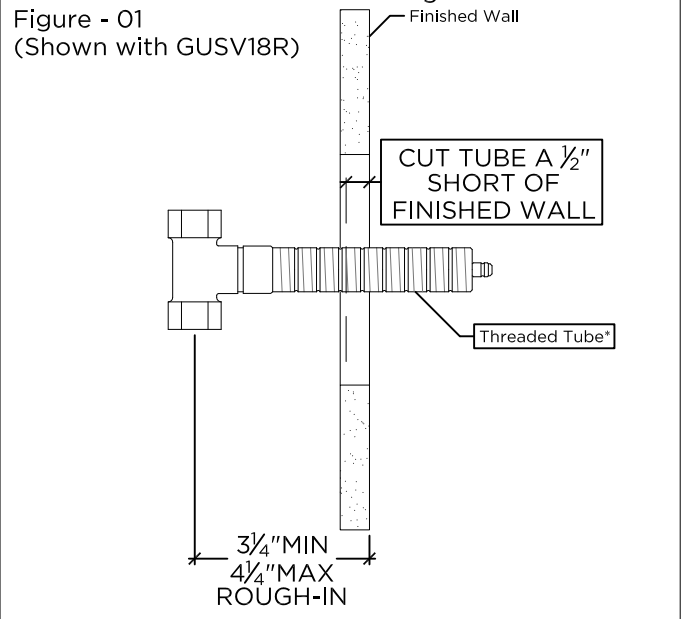
IMPORTANT:

- To ensure this product is installed properly, you must read and follow these guidelines.
- The owner/user of this product must keep this information for future reference.

- Anti-scald protection is the responsibility of the installer and according to applicable codes.
- Be sure your installation conforms to all federal, state, and local codes. In the State of Massachusetts, all installations must comply with the rules and regulations set forth within 248 CMR.
- Wall valves control on/off/volume and must be installed for each fitting that will have water flowing to it. If using a wall valve with the Universal 1/2" Thermostatic Valve (**STYLE No.** GUTH56R), refer to the Installation Guidelines for the Thermostatic Valve which contains related installation information.
- This product must be installed by a professional licensed contractor and must be on-site prior to rough-in. This allows the installer to visualize the installation.
- Refer to the specification and assembly drawings attached. Product is sold partially assembled but shown fully disassembled for illustrative and service purposes only.
- Inspect this product to ensure you have all parts required for proper installation.
- Use only a strap wrench or protected/smooth-jaw wrench on any finished surface.

TRIM INSTALLATION WITH CONTROL VALVE:

1. Remove the tile guard and make a mark on the tube that is flush with the surface of the finished wall.
2. Remove then cut the tube a 1/2" behind the mark made in Step 1. DO NOT cut the end of the tube with the internal threads. See Figure - 01.

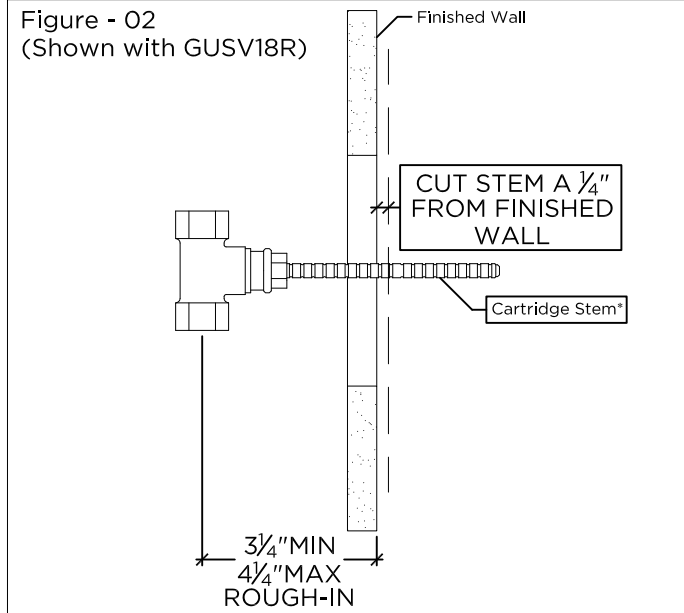


These guidelines have been prepared for the professional contractor to aid in the installation of:
FLYTE VOLUME CONTROL VALVE TRIM METAL CROSS HANDLE (STYLE No. FLVC40) AND METAL LEVER HANDLES (STYLE No. FLVC50).

All dimensions are based on origin specification and are subject to change and variation. Please consult your Design Associate for current specifications.

**WATERWORKS
STUDIO**

3. Mark then cut the cartridge stem a $\frac{1}{4}$ " from the surface of the finished wall. See Figure - 02.

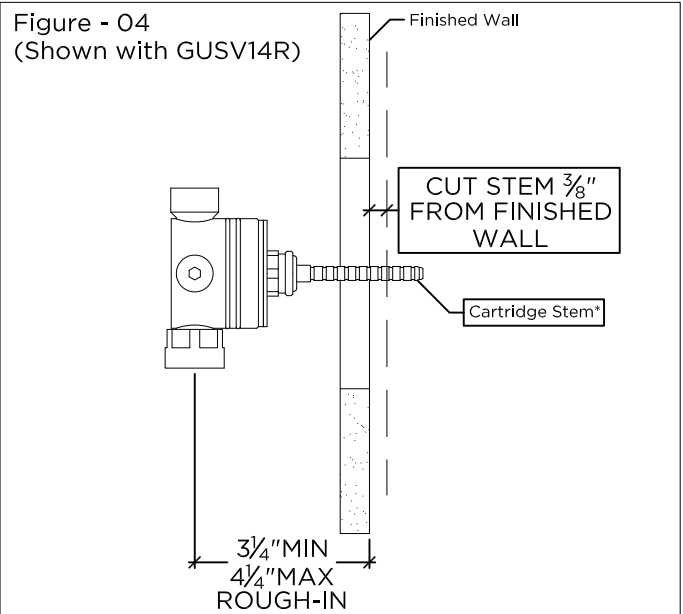
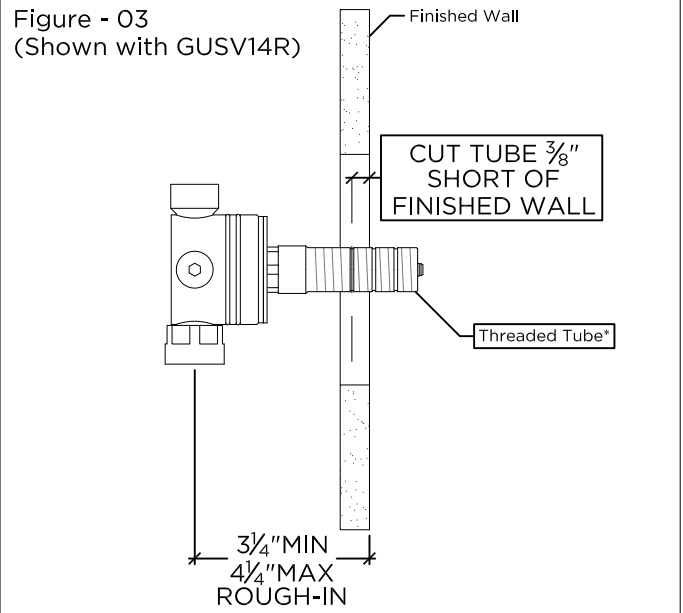


4. Re-install the threaded tube onto the valve.
5. Thread the trim connector (9) onto the threaded tube and securely tighten against the finished wall.
6. Place the handle assembly (2-7) over the cartridge stem in the desired orientation making sure the washer (8) is behind the escutcheon (4).
7. Thread the escutcheon into the trim connector and securely tighten.

TRIM INSTALLATION WITH DIVERTER VALVE:

8. Remove the tile guard and make a mark on the tube that is flush with the surface of the finished wall.
9. Remove then cut the tube $\frac{3}{8}$ " behind the mark made in Step 8. DO NOT cut the end of the tube with the internal threads. See Figure - 03.
10. Mark then cut the cartridge stem $\frac{3}{8}$ " from the surface of the finished wall. See Figure -04.
11. Re-install the threaded tub onto the valve.
12. Hold the diverter plate[†] (SOLD SEPARATELY) to finished wall then thread the trim connector (9) onto the threaded tube and securely tighten.
13. Place the handle assembly (2-7) over the cartridge stem in the desired orientation making sure the washer (8) is behind the escutcheon (4).
14. Thread the escutcheon into the trim connector and securely tighten.

- If further assistance is required, contact Product Support at 1-800-927-2120 (8am-6pm EST).



* If required a 1" stem extension kit is available.
STYLE No. 890831
ITEM No. 29-72873-53591

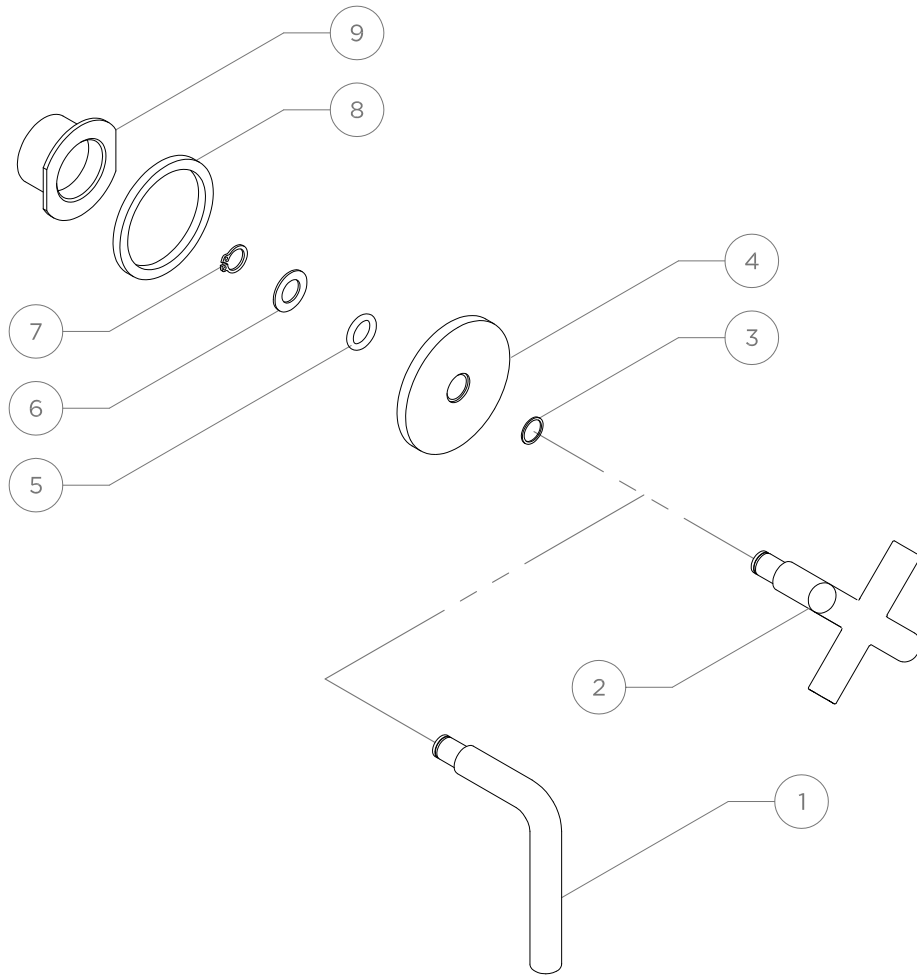
[†] **GUSV14R** requires the 2-Way Thermostatic Diverter Valve Trim (Plate Only):
STYLE No. UNDV02

GUSV23R requires the 2-Way Pressure Balance Diverter Valve Trim (Plate Only):
STYLE No. UNDV12

These guidelines have been prepared for the professional contractor to aid in the installation of:
FLYTE VOLUME CONTROL VALVE TRIM METAL CROSS HANDLE (STYLE No. FLVC40) AND METAL LEVER HANDLES (STYLE No. FLVC50).

All dimensions are based on origin specification and are subject to change and variation. Please consult your Design Associate for current specifications.

WATERWORKS
STUDIO



FLVC50 (Lever Handle)

ITEM NO.	DESCRIPTION	QTY.
1	Lever Handle, Flyte	1

FLVC40 (Cross Handle)

2	Cross Handle, Flyte	1
---	---------------------	---

COMMON PARTS

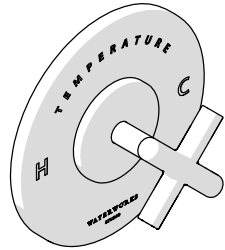
3	Plastic Washer	1
4	Escutcheon, Flyte	1
5	O-Ring	1
6	Metal Washer	1
7	Retaining Clip	1
8	Rubber Washer	1
9	Trim Connector	1

These guidelines have been prepared for the professional contractor to aid in the installation of:
FLYTE VOLUME CONTROL VALVE TRIM METAL CROSS HANDLE (STYLE No. FLVC40) AND METAL LEVER HANDLES (STYLE No. FLVC50).
 All dimensions are based on origin specification and are subject to change and variation.
 Please consult your Design Associate for current specifications.

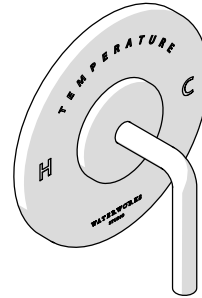
**WATERWORKS
STUDIO**

WATERWORKS STUDIO

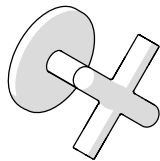
SERVICE PARTS



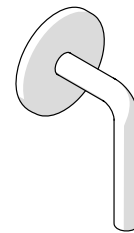
STYLE FLTH01
Flyte Thermostatic Control Valve Trim
with Metal Cross Handles



STYLE FLTH10
Flyte Thermostatic Control Valve Trim
with Metal Lever Handles



STYLE FLVC40
Flyte Volume Control Valve Trim with
Metal Cross Handles



STYLE FLVC50
Flyte Volume Control Valve Trim with
Metal Lever Handles

WELCOME TO

WATERWORKS STUDIO

Over thirty years of experience distilled into signature fittings, surfaces, textiles, and accessories. Waterworks Studio is an edited collection of design solutions curated to be concise, engineered to be complete, and crafted for quality.

Everything you need, nothing more.

**TO ORDER PARTS CALL
1 (800) 927-2120 (EXT 2)**

Order by part number and specify color, finish, or other options if required.

PRODUCT SUPPORT

Our Product Support team provides troubleshooting and technical problem resolution, including replacement parts and installation recommendations throughout the life of your product.

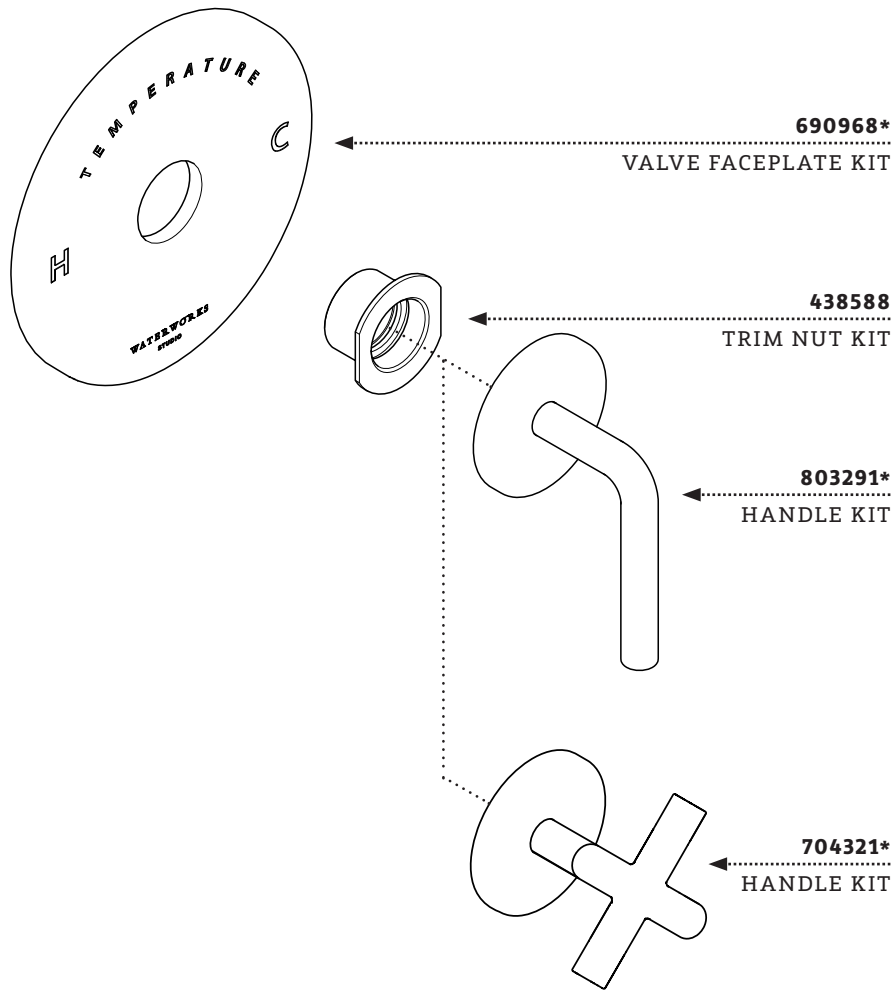
Product Support is available Monday through Friday, 9am-6pm.

**LIMITED LIFETIME
WARRANTY**

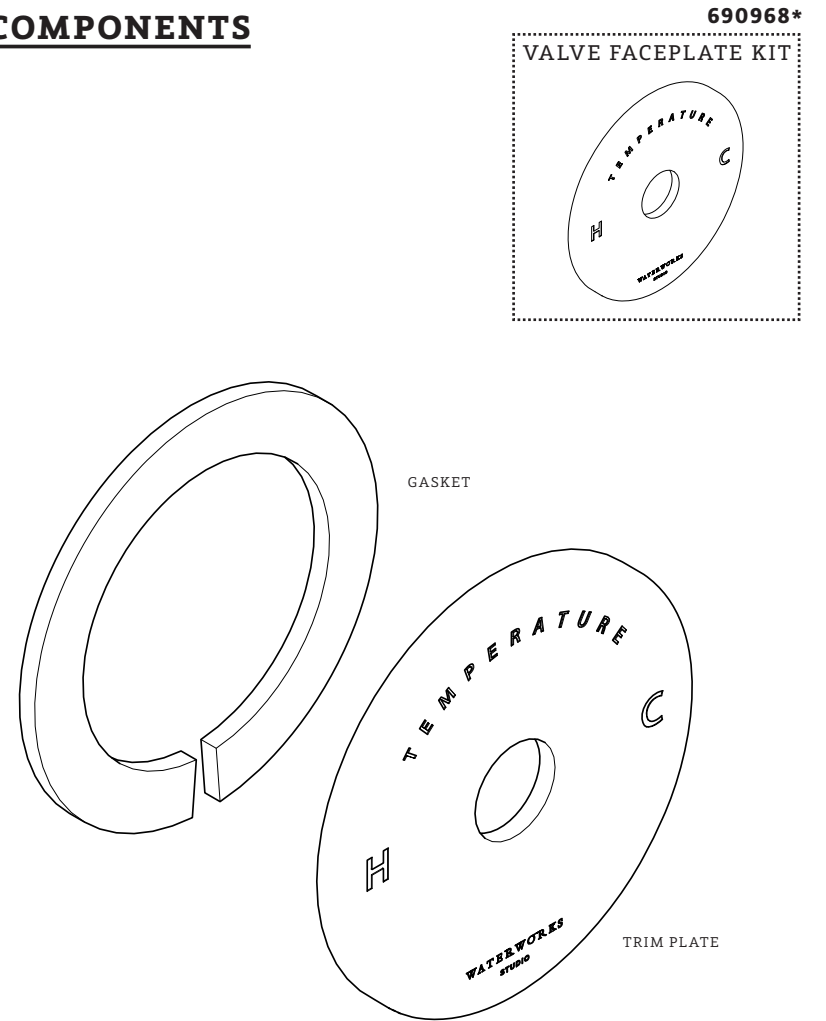
Our warranty covers repair and replacement of Waterworks products if within the applicable coverage period and deemed defective by Waterworks. Waterworks will, at its option, repair or replace such products; this does not include installation costs, labor charges, or other incidental or consequential costs.

To obtain your complete warranty or inquire about warranty service, please visit us at www.waterworks.com or contact our Product Support Team.

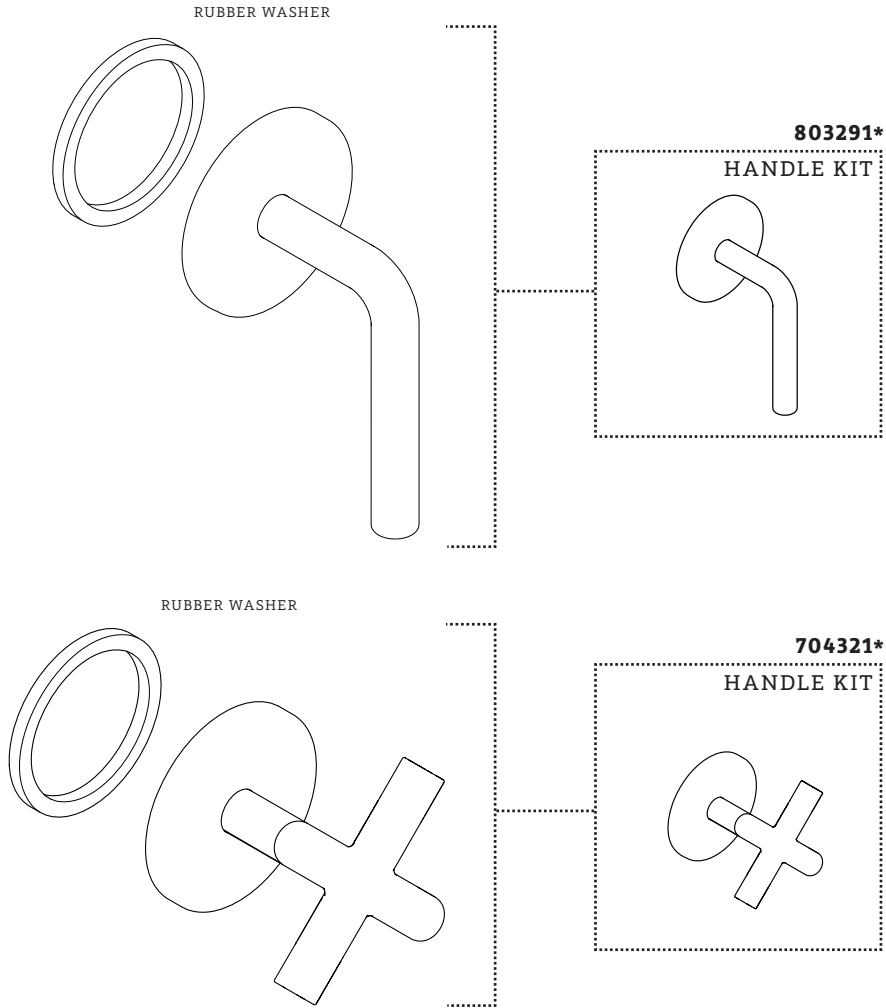
MAIN KITS



KIT COMPONENTS



KIT COMPONENTS



*FINISH/COLOR MUST BE SPECIFIED WHEN ORDERING
++SUPPLIED AS A PAIR

SERVICE PARTS INDEX

<u>STYLE</u>	<u>DESCRIPTION</u>	<u>PG</u>
704321*	HANDLE KIT	4
803291*	HANDLE KIT	4
438588	TRIM NUT KIT	2
690968*	VALVE FACEPLATE KIT	3

WATERWORKS
STUDIO

PRODUCT SUPPORT

60 BACKUS AVENUE
DANBURY, CT 06810

1 (800) 927-2120 (EXT 2)

WWW.WATERWORKS.COM/STUDIO