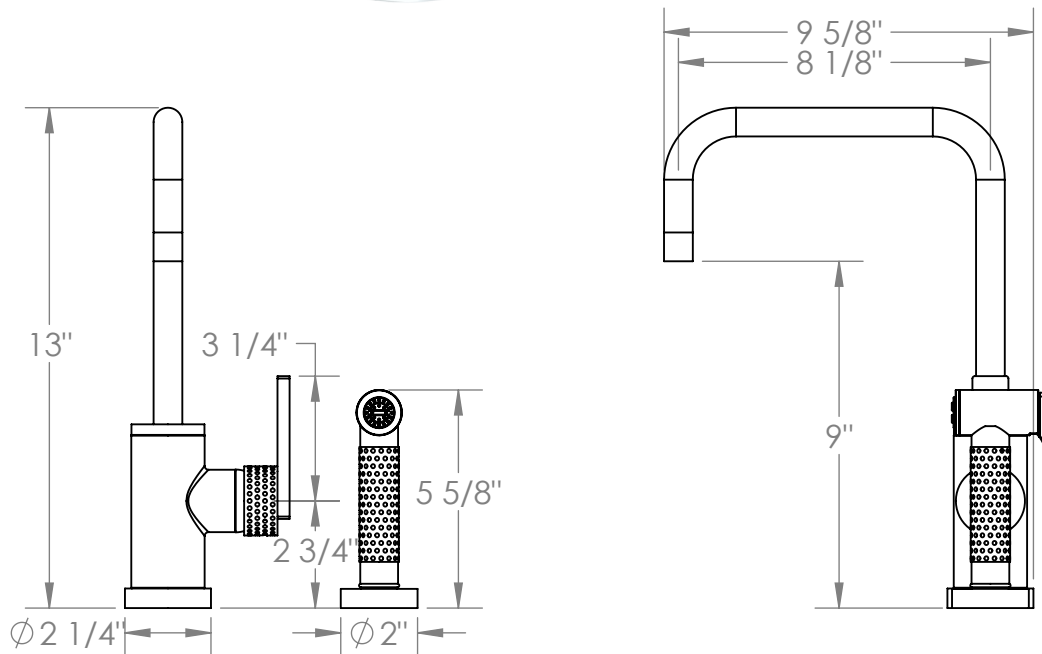
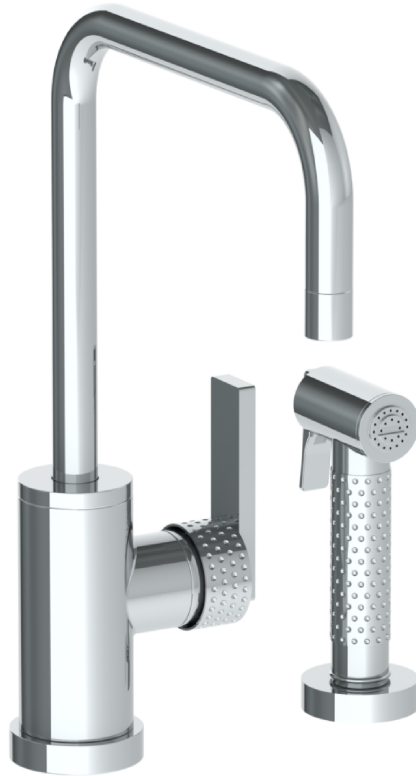


**71-7.4-LLP5**

Deck Mounted Kitchen Set  
Includes Side Spray  
Faucet Flow Rate: 1.75 GPM



Meets the applicable requirements of ASME A12.18.1-2005/CSA B125.1-05, entitled "Plumbing Supply Fittings"

**DESIGNS 8/27/2019**