

WATERMARK

BROOKLYN, NEW YORK

Elan Vital 38-7.8.1-EV4

Wall Mounted, Telescopic Pot Filler

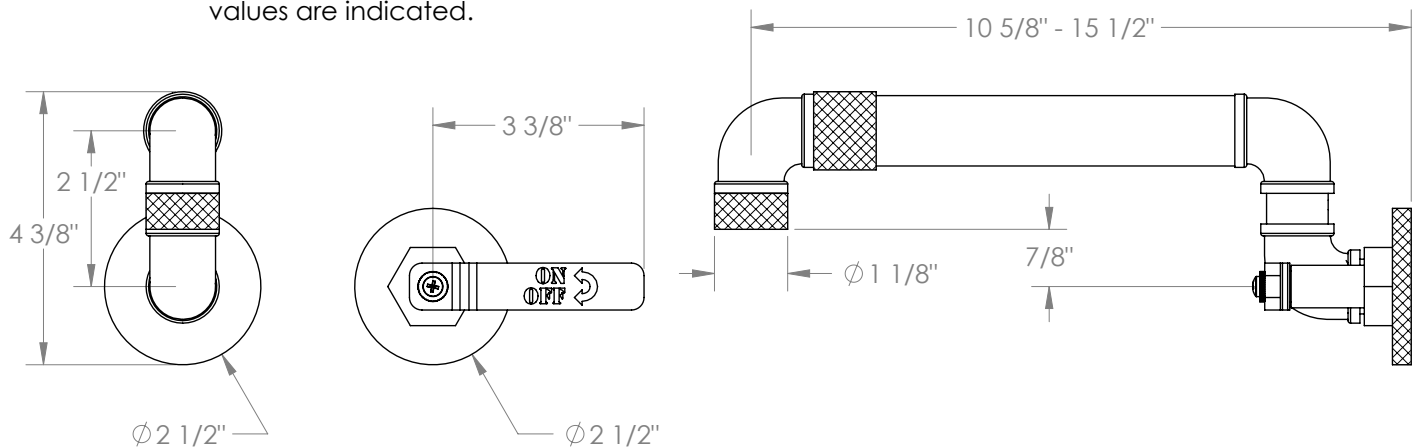


- 1/2"-14 NPT Male Wall Connection
- Recommended Wall Hole: 1"
- All Lead-Free Brass Construction
- Flow Rate: 7.5 GPM
- 1/4 Turn Ceramic Cartridge
- Use With Cold Water Only
- 360° Rotating Spout
- Professional Installation Required
- Telescoping Spout with Adjustable Projection

Available in all finishes shown on the [Watermark Designs website](https://www.watermark-designs.com)



NOTE: Spout height and projection are telescopic. Maximum and minimum values are indicated.



Meets the applicable requirements of ASME A112.18.1-2005/CSA B125.1-05, entitled "Plumbing Supply Fittings".

Watermark Designs reserves the right to make revisions without notice to produce specifications. All product dimensions are nominal.

09/2023

350 Dewitt Ave. Brooklyn, NY 11207 USA | T: 1 718 257 2800 | F: 1 718 257 2144 | customerservice@watermark-designs.com