

38-3.91-_-_-EV4

Wall Mounted Exposed Shower Tub and Shower Set with Hand Shower

Hand Shower Flow Rate: 1.75 GPM

Note: Some building codes may require a remote pressure balance valve for anti-scald

Note: Please specify (E-G, O-R, U-W)



Meets the applicable requirements of ASME A112.18.1-2005/CSA B125.1-05, entitled "Plumbing Supply Fittings"

WATERMARK DESIGNS 5/18/2020

350 Dewitt Ave Brooklyn NY 11207 USA T 718 257 2800 F 718 257 2144 info@watermark-designs.com

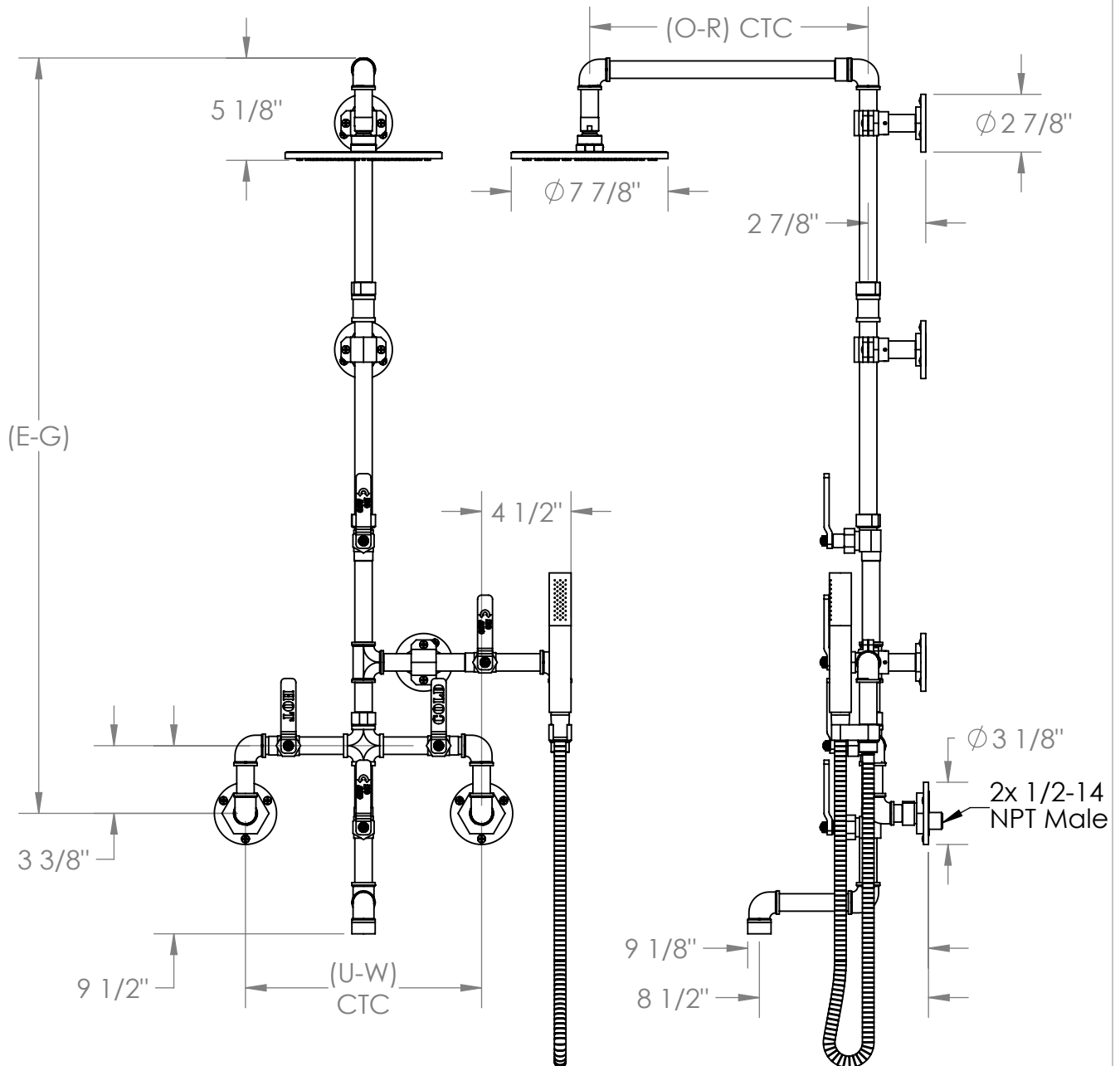
38-3.91-_-_-_-EV4

Wall Mounted Exposed Shower Tub and Shower Set with Hand Shower
 Hand Shower Flow Rate: 1.75 GPM

Note: Some building codes may require a remote pressure balance valve for anti-scald

Note: Please specify (E-G, O-R, U-W)

HEIGHT	PROJECTION	MOUNT SPREAD
E = 36"	O = 12"	U = 8"
F = 48"	P = 14"	V = 12"
G = 60"	Q = 16"	W = 18"
-----	R = 18"	-----



Meets the applicable requirements of ASME A112.18.1-2005/CSA B125.1-05, entitled "Plumbing Supply Fittings"