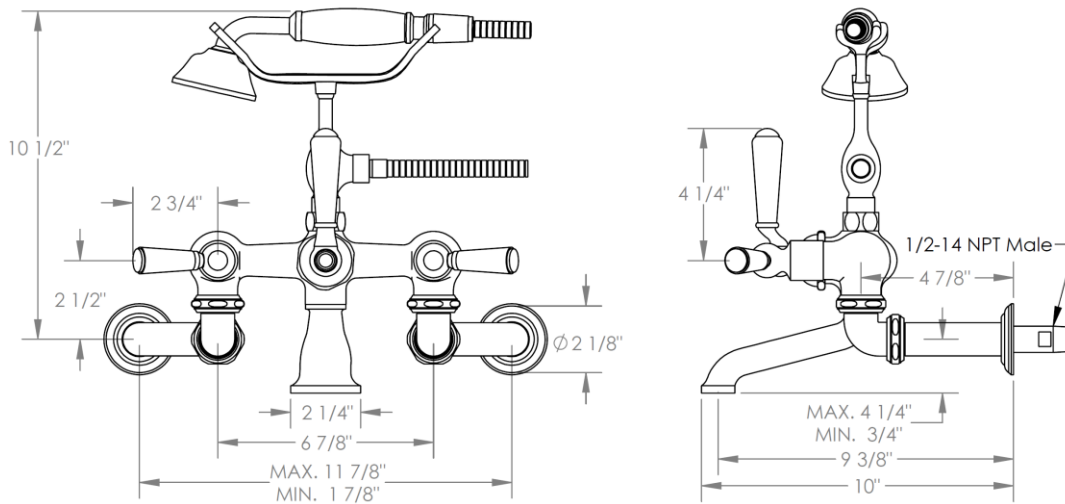


**34-5.2-**

Wall Mounted Exposed Bath Set with Hand Shower

Hand Shower Flow Rate: 1.75 GPM

Note: Some building codes may require remote pressure balance valves for anti-scald



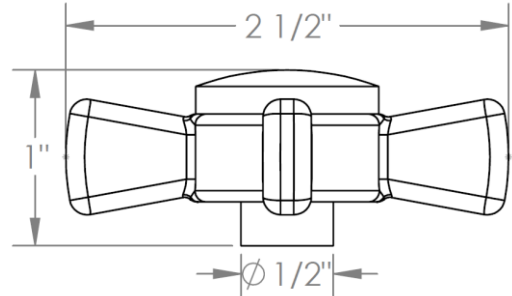
Meets the applicable requirements of ASME A112.18.1-2005/CSA B125.1-05, entitled "Plumbing Supply Fittings"

**WATERMARK DESIGNS**

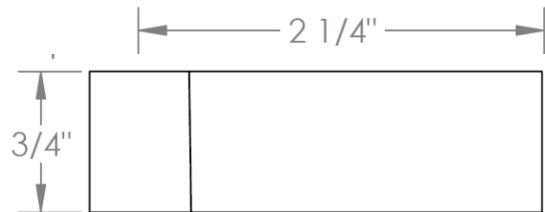
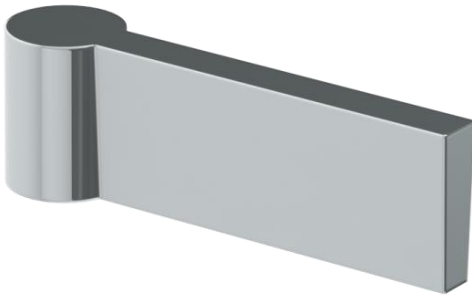
**4/16/2019**

HANDLE TRIM OPTIONS

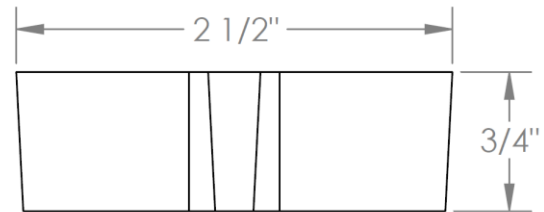
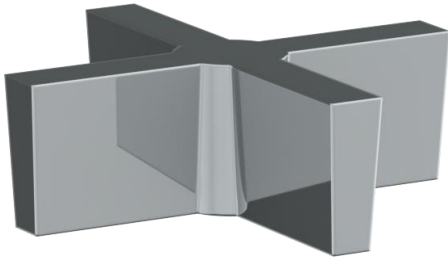
B9M - SISTINA



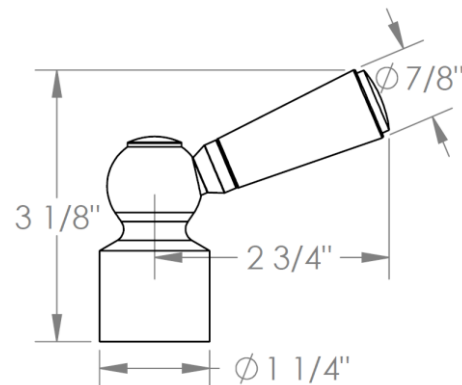
DD2 - ASTAIRE



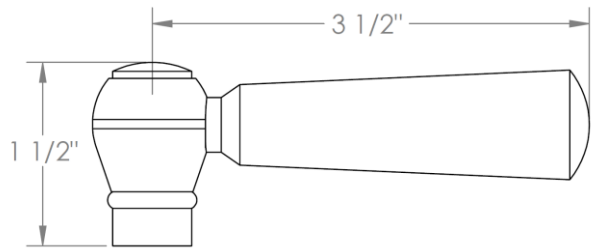
DD3 - GARBO



H4 - HARMONIE



S1A – NOTTINGHAM



S1 – PRESTON

