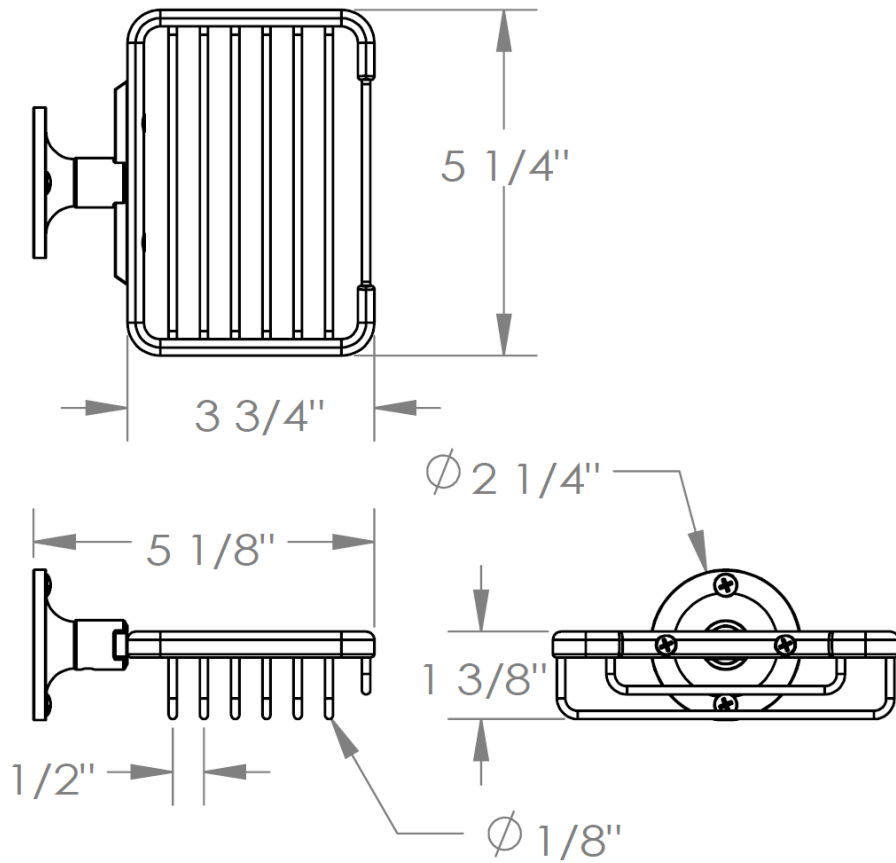
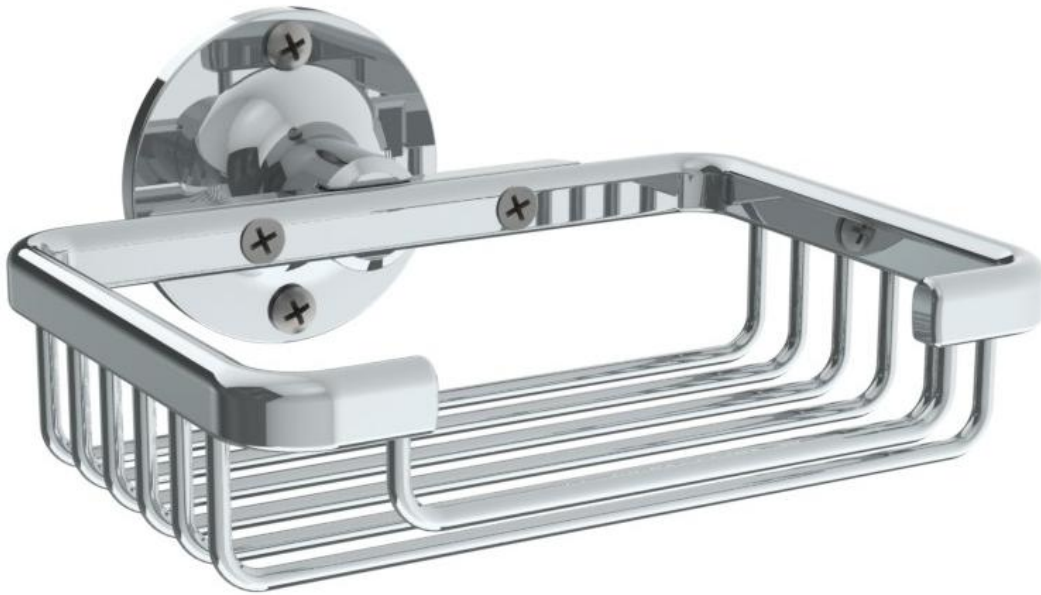


**321-0.12A**  
5"X4" Wire Dish



**WATERMARK** DESIGNS 1/21/2015