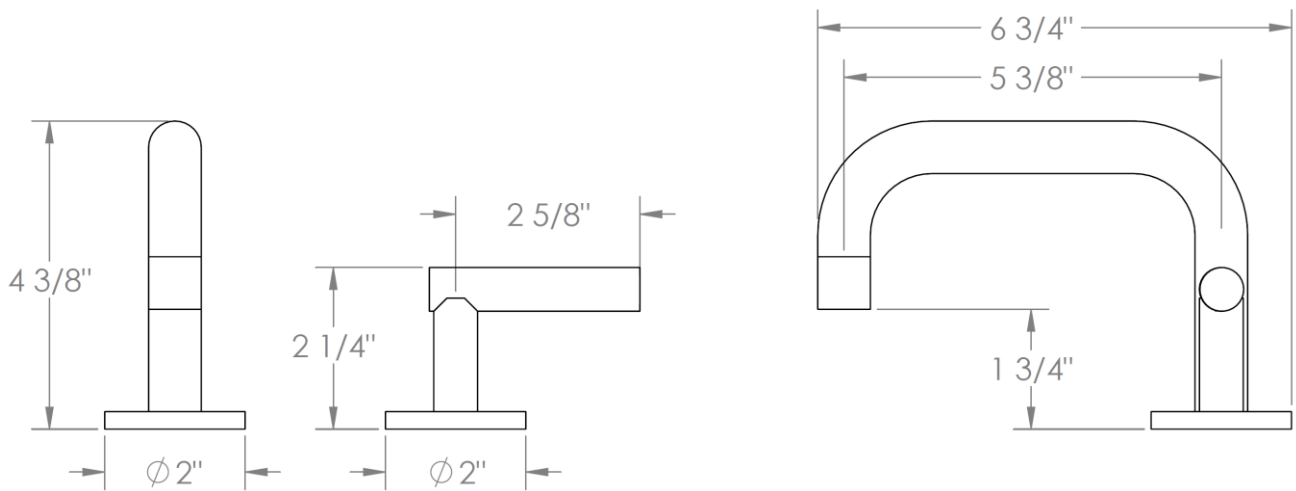


23-1.3.17-L8

Deck Mounted 2 Hole Lavatory Set

Includes MPU5 soft touch drain with overflow

Flow Rate: 1.2 GPM



Meets the applicable requirements of ASME A112.18.1-2005/CSA B125.1-05, entitled "Plumbing Supply Fittings"