

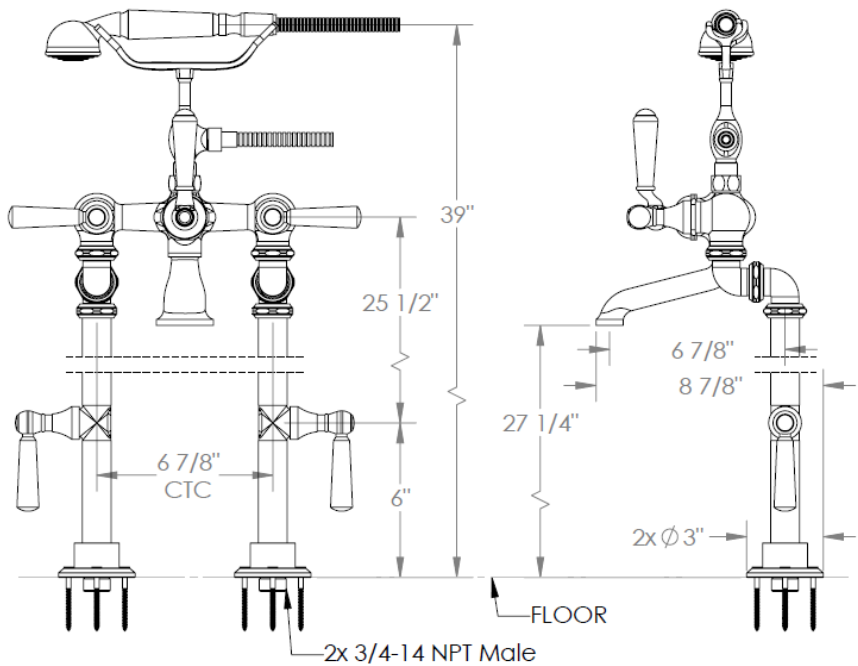
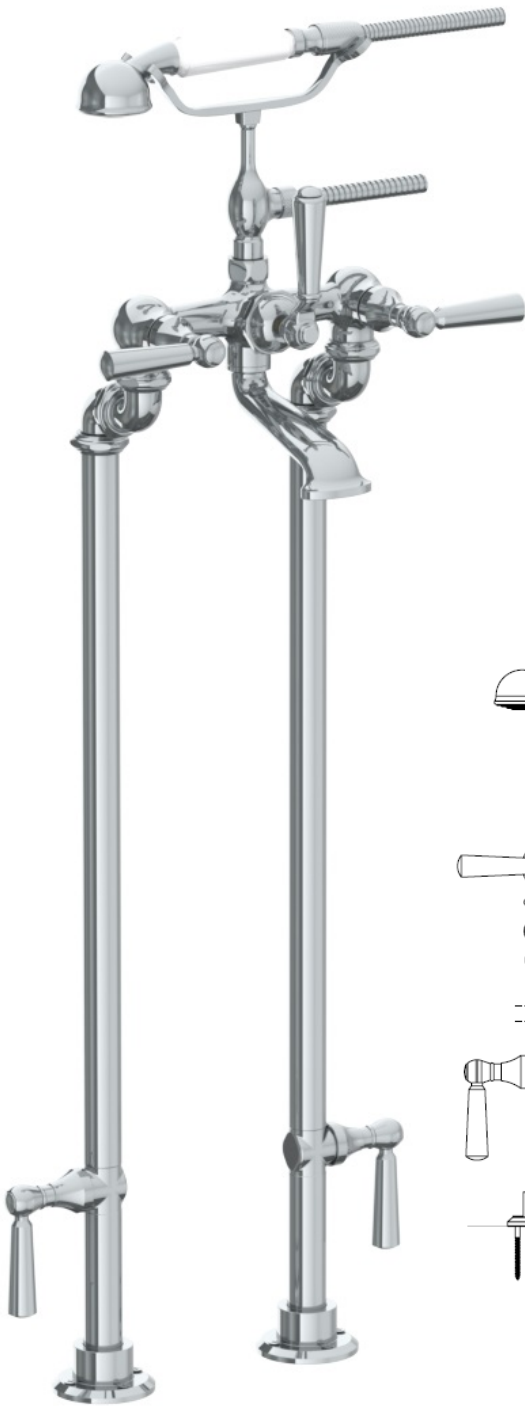
206-8.3STP-__

Floor Standing Bath Set with Hand Shower and Shut-Off Valves

Does not use concealed rough

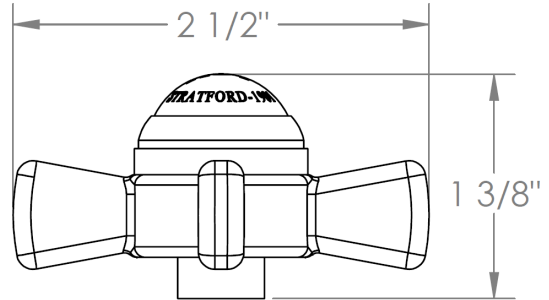
Hand Shower Flow Rate: 1.75 GPM

Note: Some building codes may require remote pressure balance valves for anti-scald

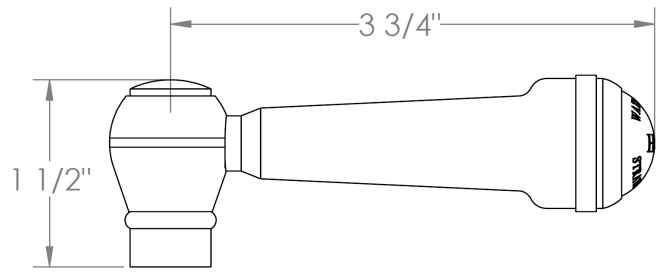
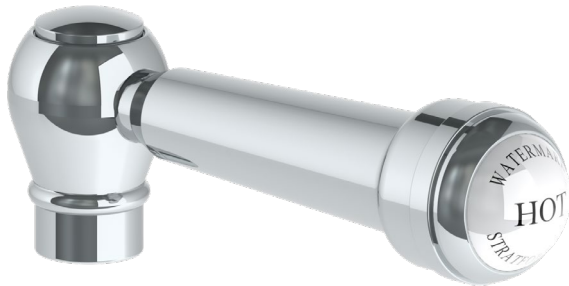


HANDLE TRIM OPTIONS

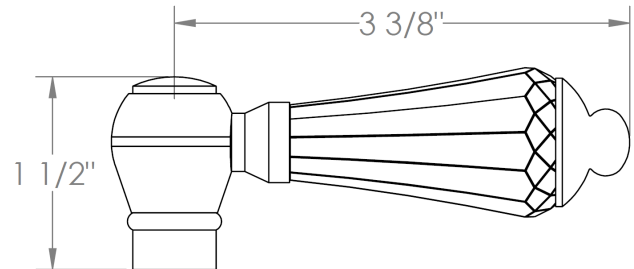
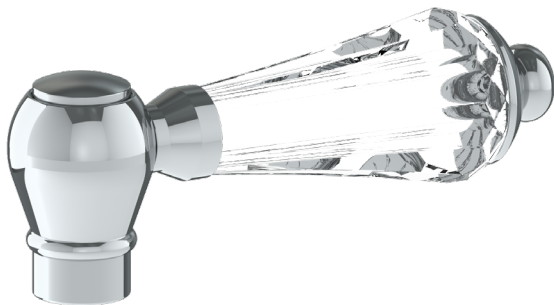
S1 - PRESTON



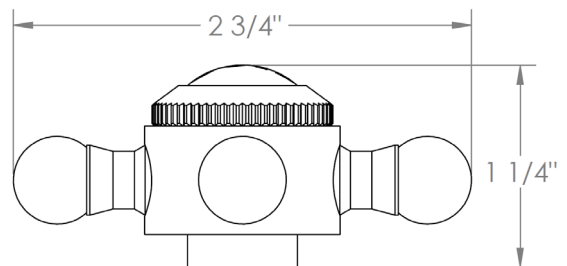
S2 - WALTHAM



SWA - DARIEN



V - WALES



S1A – NOTTINGHAM

