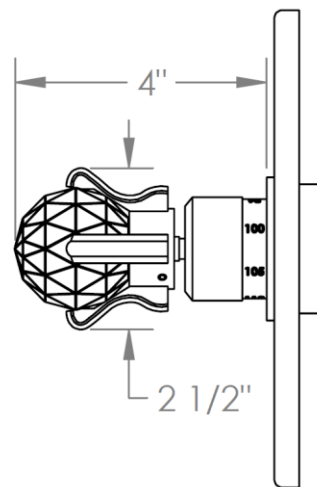
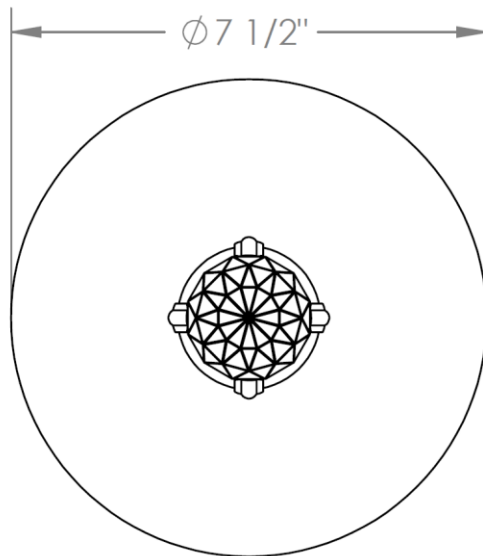


201-T10-R2

Trim Kit Only for Thermostatic Valve

Requires SS-TH1000 or SS-TH3000 concealed rough



WATERMARK DESIGNS 11/16/2018

350 Dewitt Ave Brooklyn NY 11207 USA T 718 257 2800 F 718 257 2144 info@watermark-designs.com