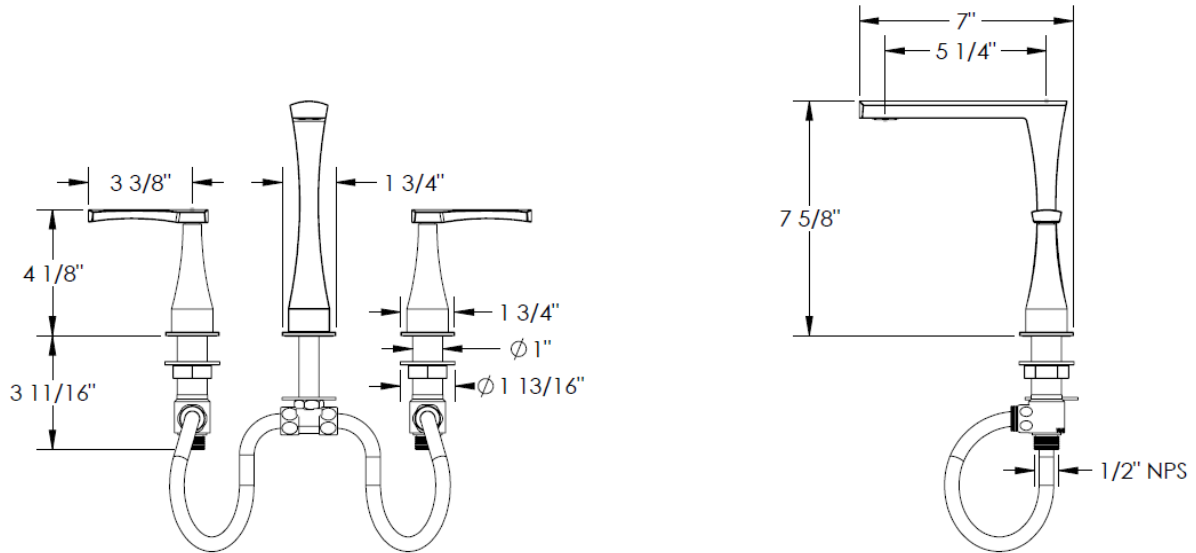


FEATURES

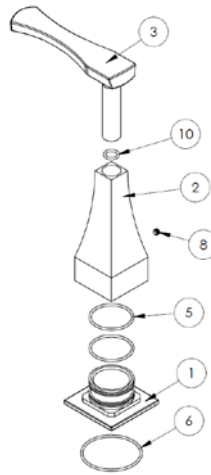
- ¼ turn washerless ceramic disc valve cartridges
- Flexible hose connection for 8" to 16" spread installations
- Flow rate 1.5 gpm (5.7 lpm) maximum flow rate
- Solid brass construction
- Listed by IAPMO, CSA, NSF, and other municipalities
- Warranty:
 - Limited lifetime warranty (residential use)
 - One year (commercial use)
- Shipping weight (lbs.) 10
- Shipping dimensions (in.): 29x12x4



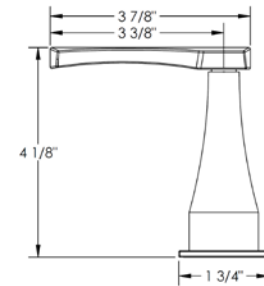
ITEM NO.	PART NUMBER	QTY.
1	125-2-BASE	1
2	125-2-SPT	1
3	NEOPERL SLIM SSR M24	1
4	55.1215.1 Washer for SLIM M24	1
5	029 O-Ring	1
7	142-TEE	1
8	142-HRS-SHOE-WSHR	1
9	142-TEE-GSKT	1
10	142-LOCK-NUT	1
11	NEOPERL MR01 FG US	1
13	502 FLEX HOSE	2
14	142-LOCK-NUT	2
15H/15C	SS-502 Valve Body	2
16H/16C	SS-502 Cartridge	2

HANDLE TRIMS

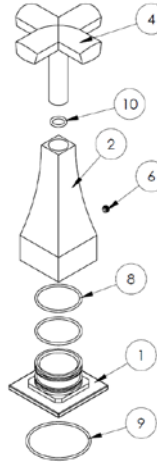
High Line (Code: BG4)



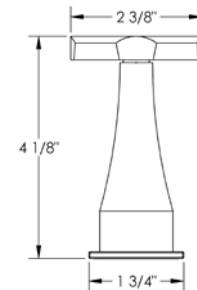
ITEM NO.	PART NUMBER	QTY.
1	BG4-ESC-RING	1
2	BG4-ESC	1
3	BG4-LVR	1
5	AS568 - 023	2
6	AS568 - 029	1
8	SSCUPSKT 0.164-32x0.125-HX-S	1
10	AS568 - 011	1



Market (Code: BG5)



ITEM NO.	PART NUMBER	QTY.
1	BG4-ESC-RING	1
2	BG4-ESC	1
4	Cross	1
6	SSCUPSKT 0.164-32x0.125-HX-S	1
8	AS568 - 023	2
9	AS568 - 029	1
10	AS568 - 011	1



IMPORTANT INSTALLATION INFORMATION

- USE TEFLON TAPE OR PIPE SEALANT FOR THREADED CONNECTIONS
- DO NOT USE PLUMBER'S PUTTY ON ANY OF THE BRASS COMPONENTS
This will cause the finish to tarnish and void the warranty. A non-corrosive Alkoxy Silicone is recommended.
- DURING SWEATING OF LINES DO NOT OVERHEAT CASTING
Overheating may cause damage to internal mechanism
- COPPER ADAPTORS MAY BE REQUIRED TO COMPLETE YOUR INSTALLATION

For technical support, please call 718-257-2800

Rev. 1/1