

HENRY CHRONOS

CTH101

Henry Chronos Thermostatic Control Valve Trim with Cross Handle



SHOWN IN HENRY CHRONOS THERMOSTATIC CONTROL VALVE TRIM WITH CROSS HANDLE | CTH101

TECHNICAL DETAILS

Integrated Diverter: N
Number Of Holes: One Hole
Primary Material: Brass

INSPIRATION

Inspired by dive watches, Henry Chronos radiates design prowess and technical precision. Chronos retains the design integrity of our original, iconic Henry collection, while imbuing it with modern details and exquisite materials.

CODES & STANDARDS

ASME A112.18.1/CSA B125.1, State of MA

PRODUCT FEATURES

Features All Metal Cross Handle

Allows Bather to Adjust Temperature of All Waterway Outlets

Features Anti-Scald Protection Through an Integrated High Limit Safety Stop

Stocked in Brass, Chrome and Nickel

Requires Rough Valve, Sold Separately: GUTH60 (1/2") or GUTH37 (3/4")

CERTIFICATIONS

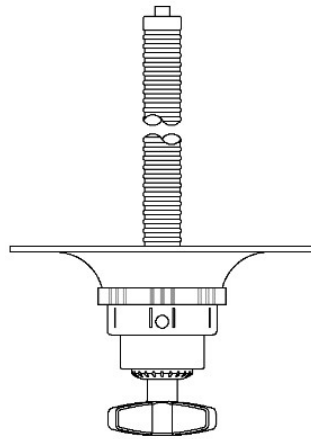


PRODUCT (NOTES)

HENRY CHRONOS

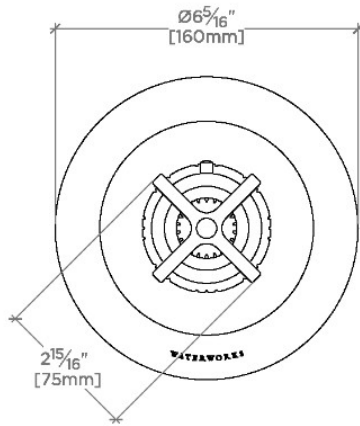
CTH101

Henry Chronos Thermostatic Control Valve Trim with Cross Handle



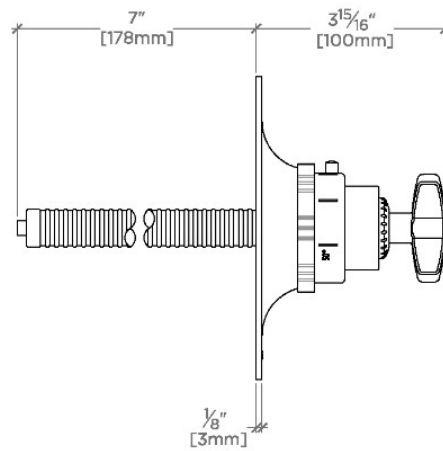
TOP VIEW

SCALE: 3"=1'-0"



FRONT VIEW

SCALE: 3"=1'-0"



SIDE VIEW

SCALE: 3"=1'-0"