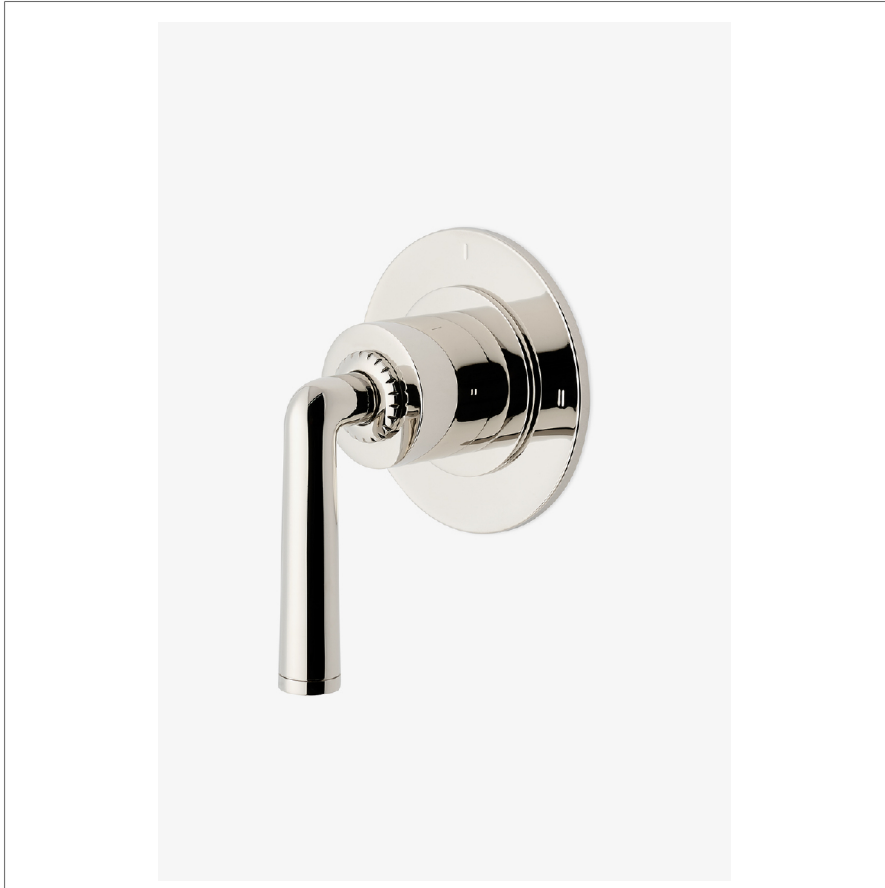


HENRY CHRONOS

CN2P11

Henry Chronos Two Way Diverter Valve Trim for Pressure Balance with Roman Numerals and Lever Handle



SHOWN IN HENRY CHRONOS TWO WAY DIVERTER VALVE TRIM FOR PRESSURE BALANCE WITH ROMAN NUMERALS AND LEVER HANDLE | CN2P11

INSPIRATION

Inspired by dive watches, Henry Chronos radiates design prowess and technical precision. Chronos retains the design integrity of our original, iconic Henry collection, while imbuing it with modern details and exquisite materials.

PRODUCT FEATURES

Features All Metal Lever Handle

For Use With a Pressure Balance Shower System and Two Waterway Outlets

Features Roman Numerals Representing Outlet Position

Stocked in Brass, Chrome and Nickel

Requires Rough Valve, Sold Separately: GUDV2P

TECHNICAL DETAILS

Fittings Hole Diameter: 2"
Handle Turn Angle: Quarter Turn
Number Of Holes: One Hole
Primary Material: Brass

CODES & STANDARDS

ASME A112.18.1/CSA B125.1, State of MA

CERTIFICATIONS

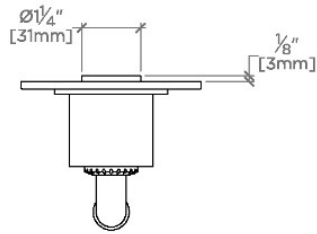


PRODUCT (NOTES)

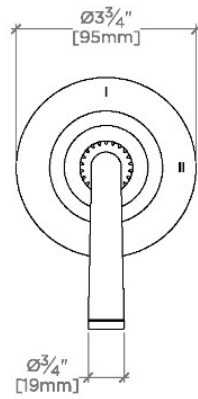
HENRY CHRONOS

CN2P11

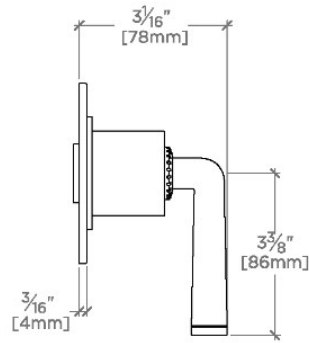
Henry Chronos Two Way Diverter Valve Trim for Pressure Balance with Roman Numerals and Lever Handle



TOP VIEW SCALE: 3"=1'-0"



FRONT VIEW SCALE: 3"=1'-0"



SIDE VIEW SCALE: 3"=1'-0"