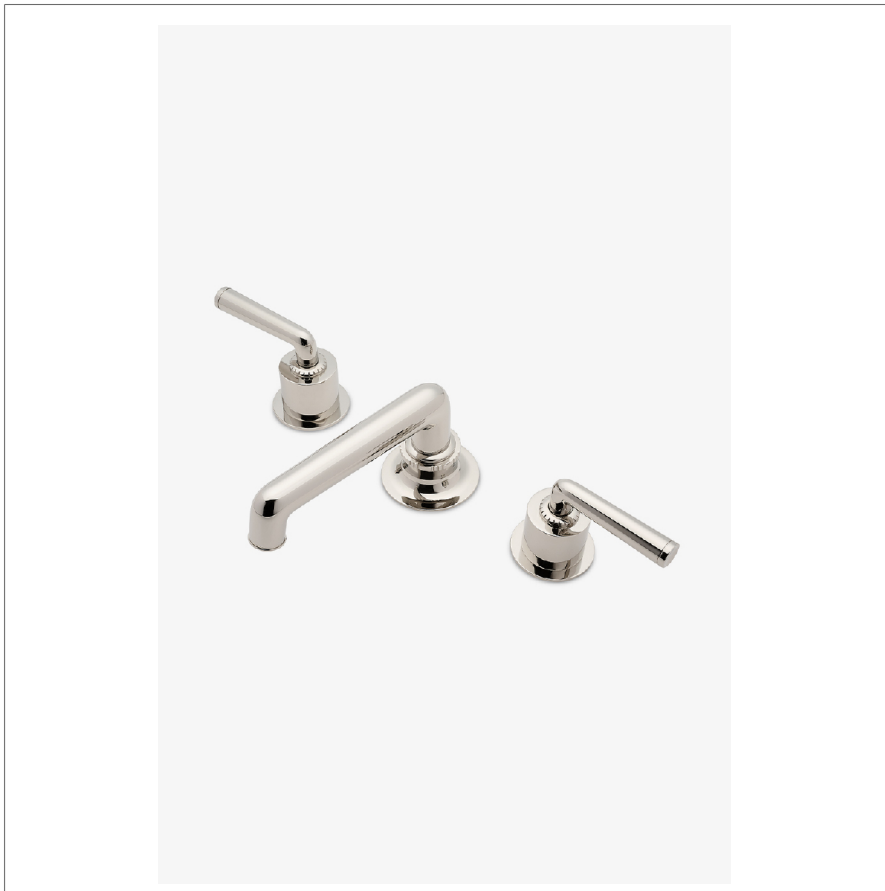


## HENRY CHRONOS

CLS111

Henry Chronos Lavatory Faucet with Lever Handles



SHOWN IN HENRY CHRONOS LAVATORY FAUCET WITH LEVER HANDLES | CLS111

### TECHNICAL DETAILS

Deck Thickness Maximum: 1 9/16"  
 Deck Thickness Minimum: 5/16"  
 Drain Depth Maximum: 2"  
 Drain Depth Minimum: 3/8"  
 Drain Hole Diameter: 1 1/2"  
 Drain Style: Push Touch  
 Fittings Hole Diameter: 1 3/8"  
 Handle Spread Maximum: 12"  
 Handle Spread Minimum: 8"  
 Handle Turn Angle: Quarter Turn  
 Inlet Connection Size: 1/2"  
 Inlet Connection Type: Male with Supply Nut  
 Number Of Holes: Three Hole  
 Primary Material: Brass  
 Restricted Maximum Flow Rate: 1.2 gpm  
 Spout Swivel: N  
 Valve Material: Brass and Ceramic  
 Water Pressure Maximum: 85.0 psi  
 Water Pressure Minimum: 20.0 psi  
 Water Pressure Recommended: 45.0 psi

### INSPIRATION

Inspired by dive watches, Henry Chronos radiates design prowess and technical precision. Chronos retains the design integrity of our original, iconic Henry collection, while imbuing it with modern details and exquisite materials.

### CODES & STANDARDS

NSF/ANSI/CAN 61:Q < 1, ASME A112.18.1/CSA B125.1, CEC, DOE, State of MA

### PRODUCT FEATURES

Features All Metal Lever Handles

Includes a Universal Push Touch Drain Sized to Fit US and Euro Sink Drain Openings

Stocked in Brass, Chrome and Nickel

Available in 1.2gpm (4.5L/min) Flow Rate

### CERTIFICATIONS



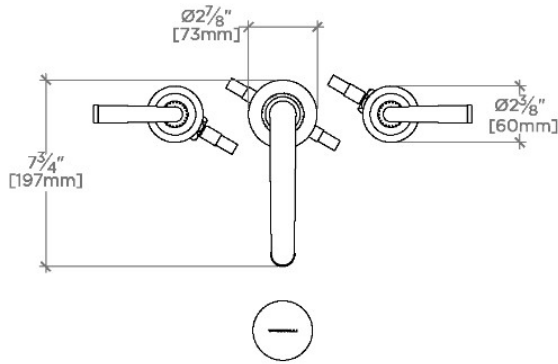
### PRODUCT (NOTES)

# WATERWORKS

## HENRY CHRONOS

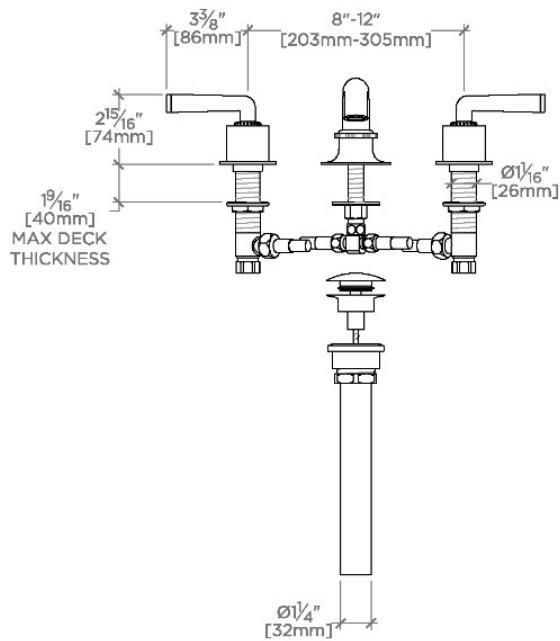
CLS111

Henry Chronos Lavatory Faucet with Lever Handles



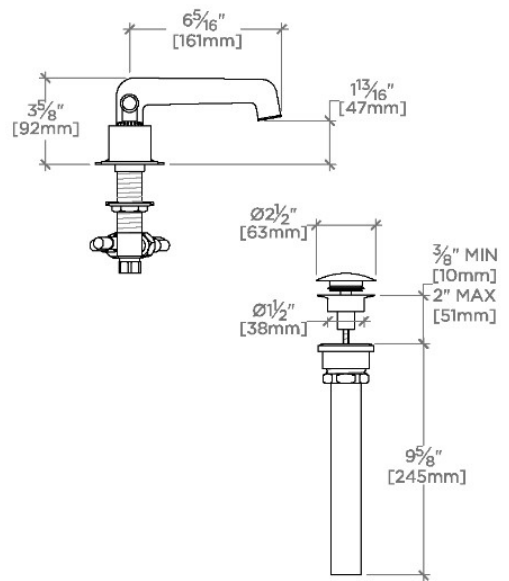
TOP VIEW

SCALE: 1/2"=1'-0"



FRONT VIEW

SCALE: 1/2"=1'-0"



SIDE VIEW

SCALE: 1/2"=1'-0"