

## HENRY

## HTH511

Henry Integrated Thermostatic and Three Way Diverter Trim with Cross and Lever Handles



SHOWN IN HENRY INTEGRATED THERMOSTATIC AND THREE WAY DIVERTER TRIM WITH CROSS AND LEVER HANDLES | HTH511

### TECHNICAL DETAILS

Fittings Hole Diameter: 2 1/2"  
Integrated Diverter: Y  
Number Of Holes: Two Hole  
Primary Material: Brass

### INSPIRATION

Influenced by the connection of industry and art Henry easily transitions between modern, traditional, utilitarian and classic settings.

### CODES & STANDARDS

ASME A112.18.1/CSA B125.1, State of MA

### PRODUCT FEATURES

Features Cross and Lever Handles

Allows bather to adjust temperature of all waterway outlets with a hot limit safety stop providing anti-scald protection

Stocked in Brass, Chrome, Nickel and Dark Nickel

Requires rough valve, sold separately: GUTH73 (USA) or GU73TH (UK/International)

### CERTIFICATIONS

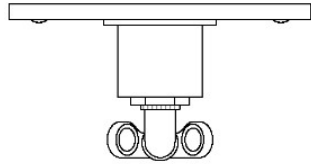


### PRODUCT (NOTES)

## HENRY

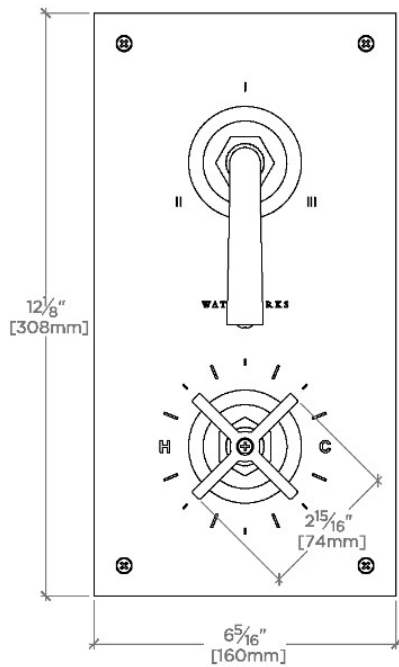
HTH511

Henry Integrated Thermostatic and Three Way Diverter Trim  
with Cross and Lever Handles



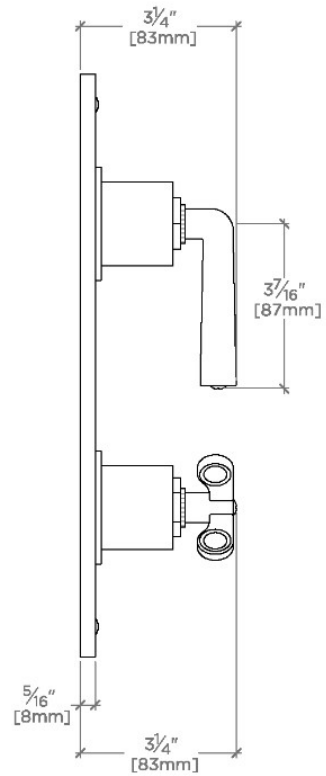
TOP VIEW

SCALE: 3"=1'-0"



FRONT VIEW

SCALE: 3"=1'-0"



SIDE VIEW

SCALE: 3"=1'-0"