

## HENRY

## HTH301

Henry Integrated Thermostatic and Volume Control Trim  
with Cross Handles



SHOWN IN HENRY INTEGRATED THERMOSTATIC AND VOLUME CONTROL TRIM WITH CROSS HANDLES | HTH301

### TECHNICAL DETAILS

Fittings Hole Diameter: 2 1/2"  
Integrated Diverter: Y  
Number Of Holes: Two Hole  
Primary Material: Brass

### INSPIRATION

Influenced by the connection of industry and art Henry easily transitions between modern, traditional, utilitarian and classic settings.

### CODES & STANDARDS

ASME A112.18.1/CSA B125.1, State of MA

### PRODUCT FEATURES

Features Cross Handles

Allows bather to adjust temperature of all waterway outlets with a hot limit safety stop providing anti-scald protection

Stocked in Brass, Chrome, Nickel and Dark Nickel

Requires rough valve, sold separately: GUTH71 (USA) or GU71TH (UK/International)

### CERTIFICATIONS

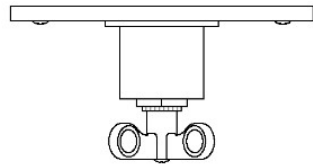


### PRODUCT (NOTES)

## HENRY

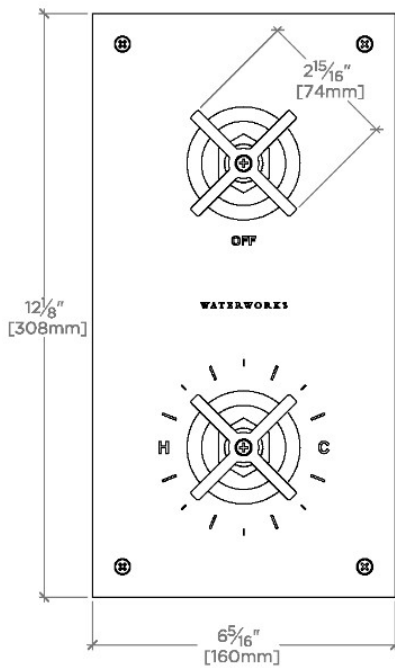
## HTH301

Henry Integrated Thermostatic and Volume Control Trim  
with Cross Handles



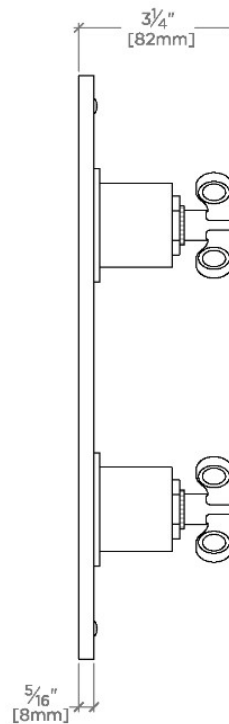
TOP VIEW

SCALE: 3"=1'-0"



FRONT VIEW

SCALE: 3"=1'-0"



SIDE VIEW

SCALE: 3"=1'-0"