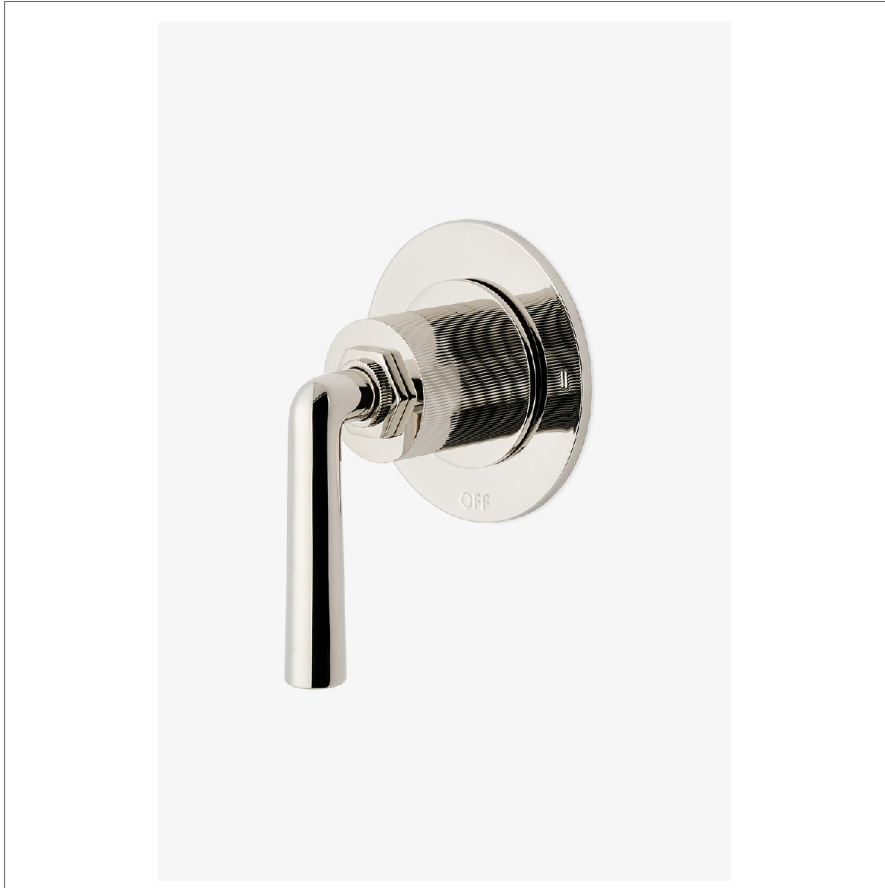


HENRY

HN2T13

Henry Two Way Diverter Valve Trim for Thermostatic with Roman Numerals and Coin Edge Lever Handle



SHOWN IN HENRY TWO WAY DIVERTER VALVE TRIM FOR THERMOSTATIC WITH ROMAN NUMERALS AND COIN EDGE LEVER HANDLE | HN2T13

TECHNICAL DETAILS

Fittings Hole Diameter: 2"
Handle Turn Angle: Quarter Turn Each Way
Number Of Holes: One Hole
Primary Material: Brass

INSPIRATION

Influenced by the connection of industry and art Henry easily transitions between modern, traditional, utilitarian and classic settings.

CODES & STANDARDS

ASME A112.18.1/CSA B125.1, State of MA

PRODUCT FEATURES

Features Lever Handle

For Use with a Thermostatic Shower System and Two Waterway Outlets

Features Roman Numerals Representing Outlet Position

Stocked in Brass, Chrome, Nickel and Dark Nickel

Requires rough valve, sold Separately: GUDV2T (USA) or GU2TDV (UK/International)

CERTIFICATIONS

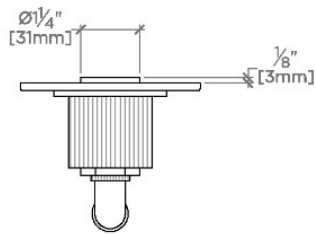


PRODUCT (NOTES)

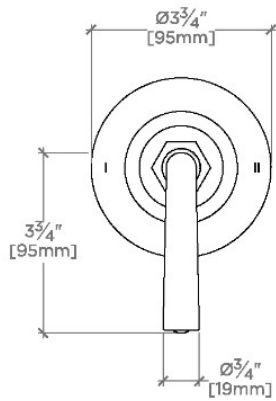
HENRY

HN2T13

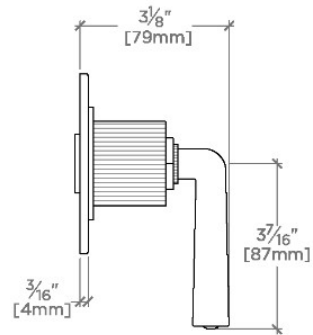
Henry Two Way Diverter Valve Trim for Thermostatic with Roman Numerals and Coin Edge Lever Handle



TOP VIEW SCALE: 3"=1'-0"



FRONT VIEW SCALE: 3"=1'-0"



SIDE VIEW SCALE: 3"=1'-0"