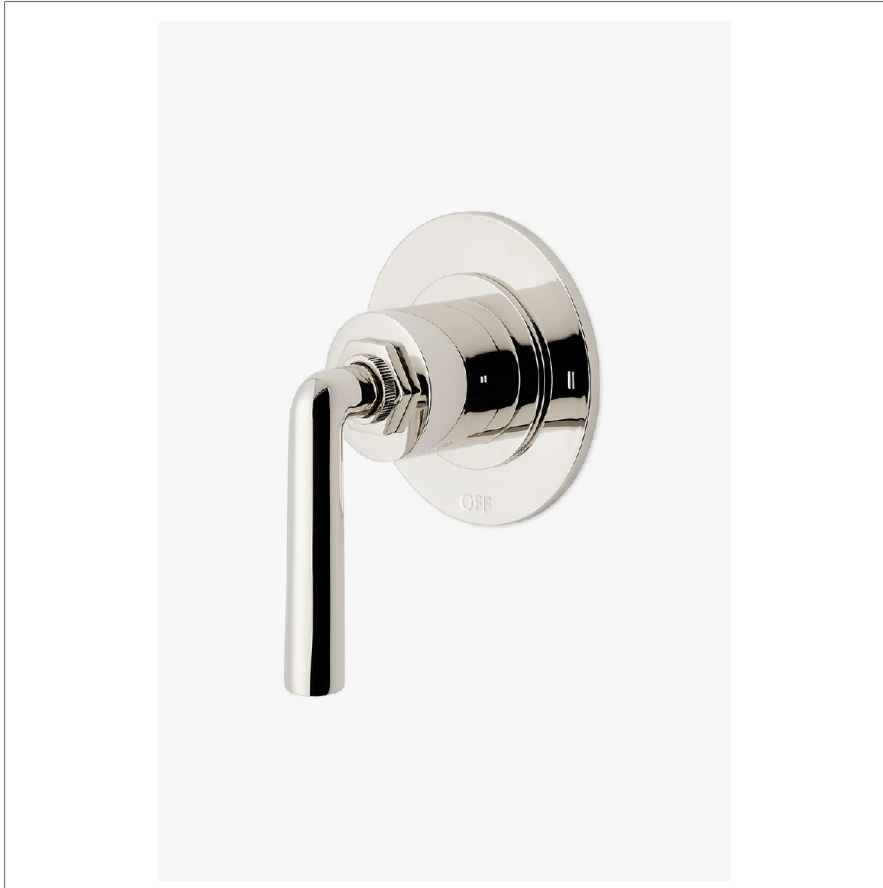


## HENRY

## HN2T11

Henry Two Way Diverter Valve Trim for Thermostatic with Roman Numerals and Lever Handle



SHOWN IN HENRY TWO WAY DIVERTER VALVE TRIM FOR THERMOSTATIC WITH ROMAN NUMERALS AND LEVER HANDLE | HN2T11

### TECHNICAL DETAILS

Fittings Hole Diameter: 2"  
Handle Turn Angle: Quarter Turn Each Way  
Number Of Holes: One Hole  
Primary Material: Brass

### INSPIRATION

Influenced by the connection of industry and art Henry easily transitions between modern, traditional, utilitarian and classic settings.

### CODES & STANDARDS

ASME A112.18.1/CSA B125.1, State of MA

### PRODUCT FEATURES

Features Lever Handle

For Use with a Thermostatic Shower System and Two Waterway Outlets

Features Roman Numerals Representing Outlet Position

Stocked in Brass, Chrome, Nickel and Dark Nickel

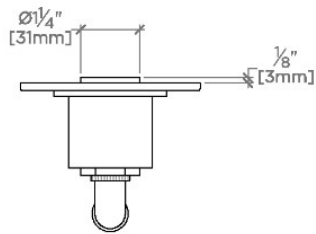
Requires rough valve, sold Separately: GUDV2T (USA) or GU2TDV (UK/International)

### CERTIFICATIONS

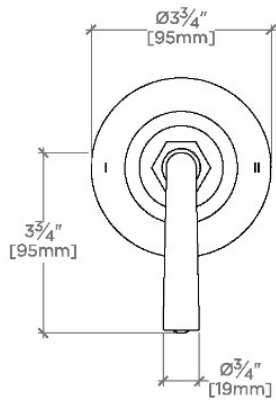


### PRODUCT (NOTES)

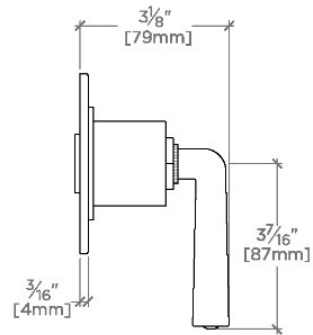
Henry Two Way Diverter Valve Trim for Thermostatic with Roman Numerals and Lever Handle



TOP VIEW SCALE: 3"=1'-0"



FRONT VIEW SCALE: 3"=1'-0"



SIDE VIEW SCALE: 3"=1'-0"