

HENRY

HLS102

Henry Lavatory Faucet with Two Tone Cross Handles



SHOWN IN HENRY LAVATORY FAUCET WITH TWO TONE CROSS HANDLES | HLS102

TECHNICAL DETAILS

Deck Thickness Maximum: 1 9/16"
 Deck Thickness Minimum: 5/16"
 Drain Depth Maximum: 2"
 Drain Depth Minimum: 3/8"
 Drain Hole Diameter: 1 1/2"
 Drain Style: Push Touch
 Fittings Hole Diameter: 1 3/8"
 Flow Restriction Options: 1.2
 Handle Spread Maximum: 12"
 Handle Spread Minimum: 8"
 Handle Turn Angle: Quarter Turn
 Inlet Connection Size: 1/2"
 Inlet Connection Type: Male with Supply Nut
 Number Of Holes: Three Hole
 Primary Material: Brass
 Restricted Maximum Flow Rate: 1.2 gpm
 Spout Swivel: N
 Valve Material: Brass and Ceramic
 Water Pressure Maximum: 85.0 psi
 Water Pressure Minimum: 20.0 psi
 Water Pressure Recommended: 45.0 psi

INSPIRATION

Influenced by the connection of industry and art Henry easily transitions between modern, traditional, utilitarian and classic settings.

CODES & STANDARDS

HLS102X, NSF/ANSI/CAN 61:Q < 1, NSF/ANSI/CAN 372, ASME A112.18.1/CSA B125.1, CEC, DOE, State of MA

PRODUCT FEATURES

Features Two Tone Lever Handles

Includes a Universal Push Touch Drain Sized to Fit US and Euro Sink Drain Openings

Stocked in Nickel/Dark Nickel and Brass/Dark Nickel

Available in 1.2gpm (4.5L/min) Flow Rate

CERTIFICATIONS



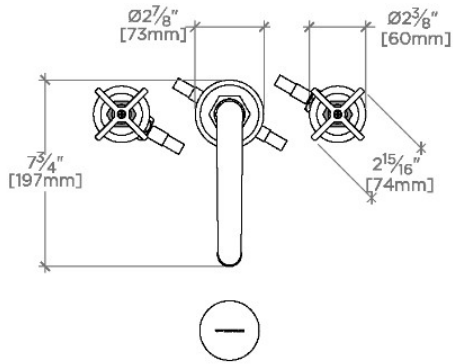
PRODUCT (NOTES)

WATERWORKS

HENRY

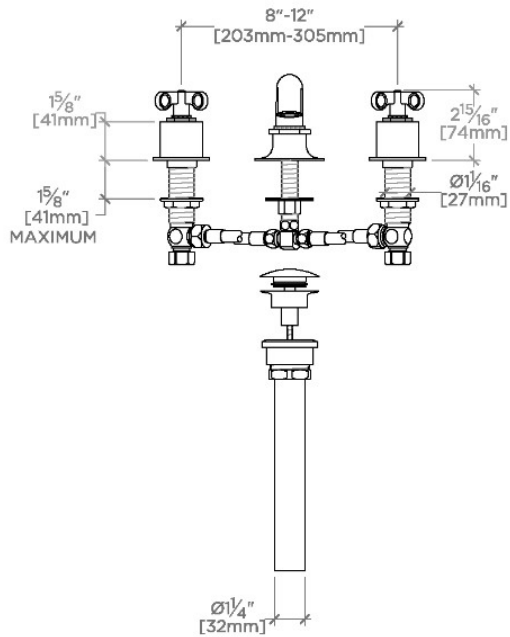
HLS102

Henry Lavatory Faucet with Two Tone Cross Handles



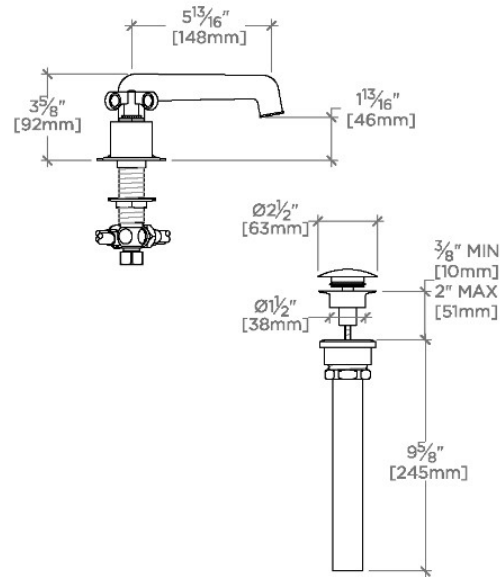
TOP VIEW

SCALE: 1/2"=1'-0"



FRONT VIEW

SCALE: 1/2"=1'-0"



SIDE VIEW

SCALE: 1/2"=1'-0"