

## HENRY

HNS355

Henry 5" Showerhead with Adjustable Spray with 8" Wall Mounted 45 Degree Shower Arm



SHOWN IN HENRY 5" SHOWERHEAD WITH ADJUSTABLE SPRAY WITH 8" WALL MOUNTED 45 DEGREE SHOWER ARM | HNS355

### TECHNICAL DETAILS

Adjustable Versus Fixed Spray: Adjustable Spray  
Fittings Hole Diameter: 1 1/4"  
Inlet Connection Size: 1/2"  
Inlet Connection Type: Male NPT  
Pivot: Y  
Primary Material: Brass  
Restricted Maximum Flow Rate: 1.75 gpm  
Water Pressure Maximum: 85.0 psi  
Water Pressure Minimum: 20.0 psi  
Water Pressure Recommended: 45.0 psi

### INSPIRATION

Influenced by the connection of industry and art Henry easily transitions between modern, traditional, utilitarian and classic settings.

### CODES & STANDARDS

### PRODUCT FEATURES

Made of Brass

Features a swivel 5" showerhead with three adjustable spray patterns

Includes a 8" wall mounted 45 degree shower arm

Stocked in Brass, Chrome and Nickel

Showerhead available in 1.75gpm (6.6L/min) flow rate

### CERTIFICATIONS

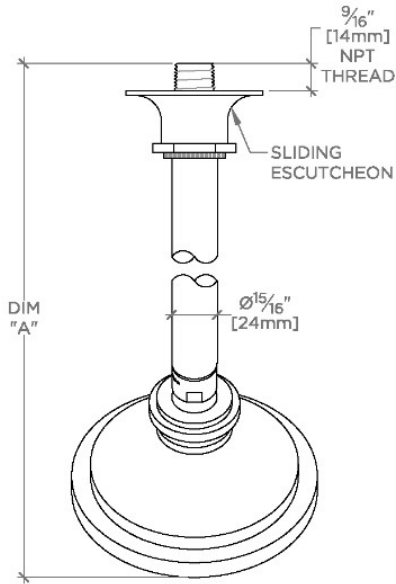
### PRODUCT (NOTES)

# WATERWORKS

## HENRY

## HNS355

Henry 5" Showerhead with Adjustable Spray with 8" Wall Mounted 45 Degree Shower Arm



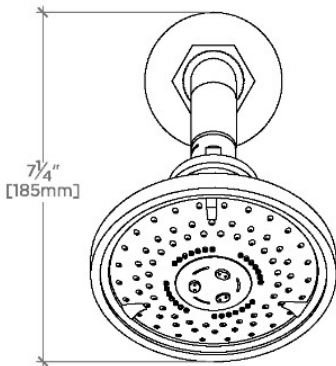
TOP VIEW

SCALE: 3"=1'-0"

STYLE NO.	DIM "A"	DIM "B"
HNS354	10 <sup>1</sup> / <sub>16</sub> " [272mm]	6 <sup>1</sup> / <sub>4</sub> " [158mm]
HNS355	12 <sup>1</sup> / <sub>16</sub> " [322mm]	8 <sup>1</sup> / <sub>4</sub> " [209mm]

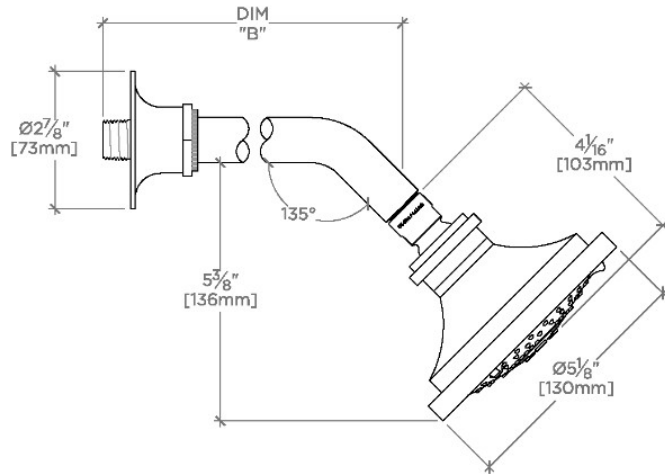


SPRAY PATTERNS



FRONT VIEW

SCALE: 3"=1'-0"



SIDE VIEW

SCALE: 3"=1'-0"