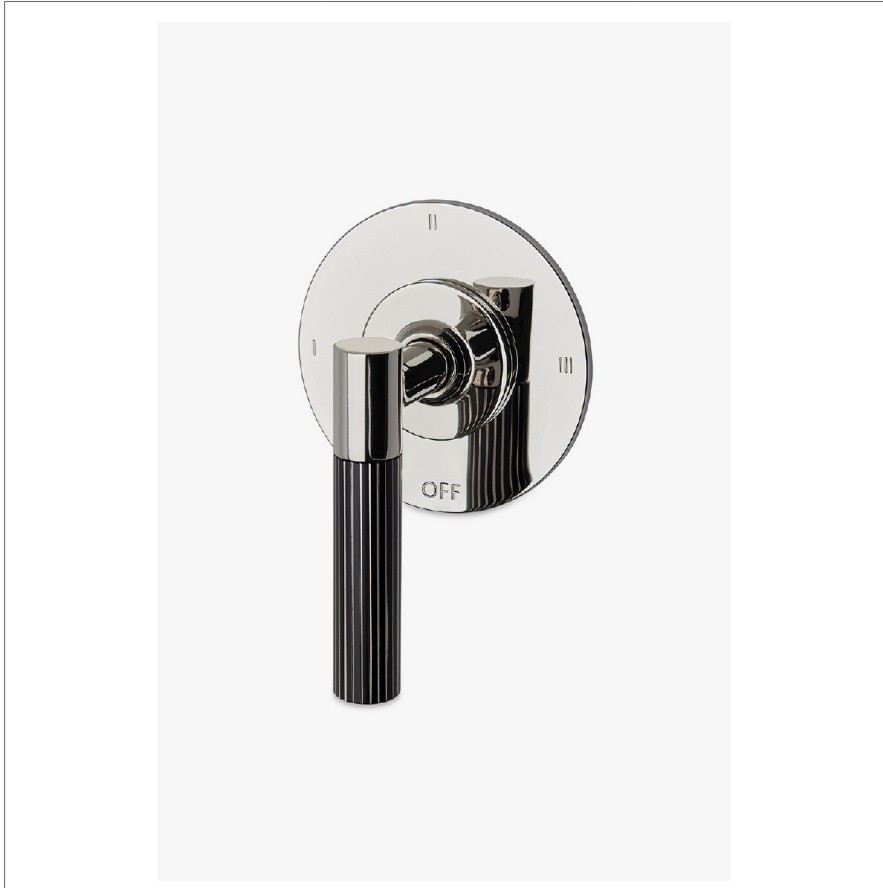


BOND

B3T12E

Bond Union Series Three Way Thermostatic Diverter Trim
with Roman Numerals and Guilloche PinStripe Lever Handle



SHOWN IN BOND UNION SERIES THREE WAY THERMOSTATIC DIVERTER TRIM WITH ROMAN NUMERALS AND GUILLOCHE PINSTRIPE LEVER HANDLE | B3T12E

TECHNICAL DETAILS

ADA Compliance: Yes
Fittings Hole Diameter: 2"
Number Of Holes: One Hole
Primary Material: Brass

INSPIRATION

Modern designs infused with rare soul and artistry. Explore our wide range of Bond bath and kitchen elements, from fittings to fixtures to hardware.

CODES & STANDARDS

PRODUCT FEATURES

Lever Handle

Stocked in Nickel and Brass

Requires rough valve, sold separately: GUDV66 (USA) or GU66DV (UK/International)

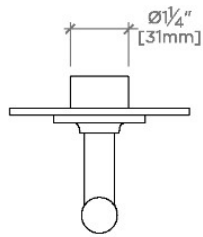
CERTIFICATIONS

PRODUCT (NOTES)

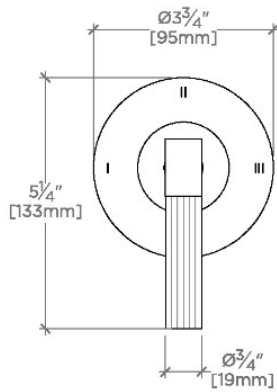
BOND

B3T12E

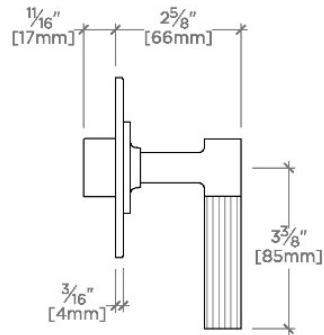
Bond Union Series Three Way Thermostatic Diverter Trim
with Roman Numerals and Guilloche PinStripe Lever Handle



TOP VIEW SCALE: 3"=1'-0"



FRONT VIEW SCALE: 3"=1'-0"



SIDE VIEW SCALE: 3"=1'-0"