

BOND

BXT37E

Bond Union Series Floor Mounted Exposed Tub Filler with Handshower and Guilloche Pinstripe Lever Handles



SHOWN IN BOND UNION SERIES FLOOR MOUNTED EXPOSED TUB FILLER WITH HANDSHOWER AND GUILLOCHE PINSTRIPE LEVER HANDLES | BXT37E

TECHNICAL DETAILS

ADA Compliance: No
 Diameter Of Legs Tubes: 1 1/4"
 Fittings Hole Diameter: 1 3/8"
 Handle Spread Maximum: 8"
 Handle Spread Minimum: 8"
 Handle Turn Angle: Quarter Turn
 Handshower Spray Hose Length: 59"
 Inlet Connection Size: 3/4"
 Inlet Connection Type: Sweat
 Inlet Supply Spread Maximum: 12 1/2"
 Inlet Supply Spread Minimum: 12 1/2"
 Integrated Diverter: Y
 Number Of Holes: Two Hole
 Primary Material: Brass
 Spout Swivel: N
 Spray Included In Unit: Y
 Valve Material: Ceramic
 Water Pressure Maximum: 85.0 psi
 Water Pressure Minimum: 20.0 psi
 Water Pressure Recommended: 45.0 psi

INSPIRATION

Modern designs infused with rare soul and artistry. Explore our wide range of Bond bath and kitchen elements, from fittings to fixtures to hardware.

CODES & STANDARDS

PRODUCT FEATURES

Lever Handles

Diverter knob allows bather to move water from spout to handshower. Handshower features 2-1/8" head with rubber nozzles.

Stocked in Chrome, Nickel, Brass and Dark Nickel

Unrestricted flow for tub spout. Handshower available in 1.75gpm (6.6L/min) flow rate

CERTIFICATIONS

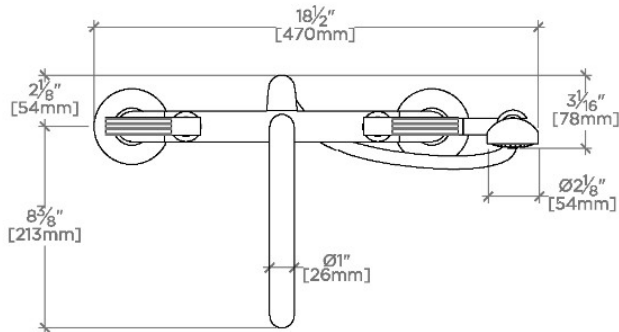
PRODUCT (NOTES)

WATERWORKS

BOND

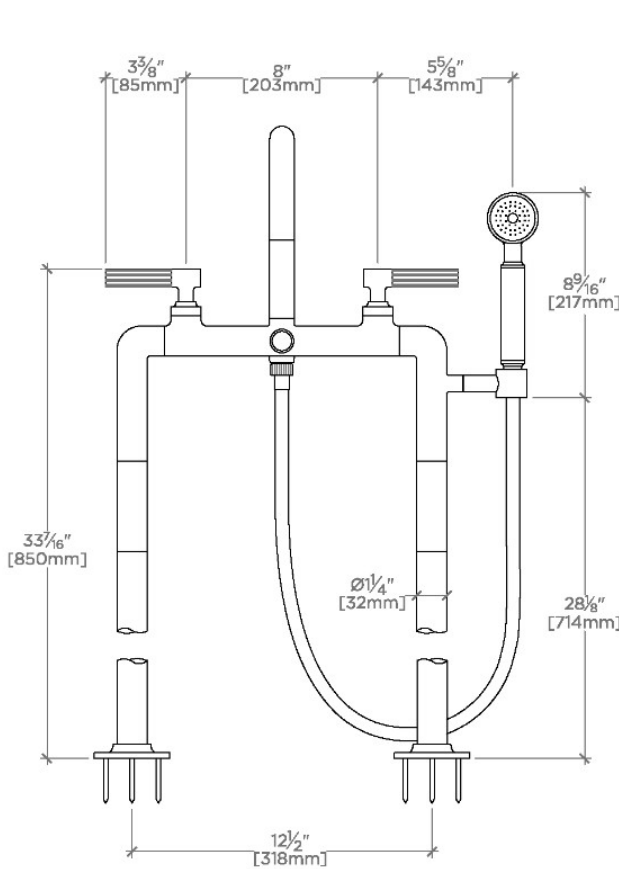
BXT37E

Bond Union Series Floor Mounted Exposed Tub Filler with Handshower and Guilloche Pinstripe Lever Handles



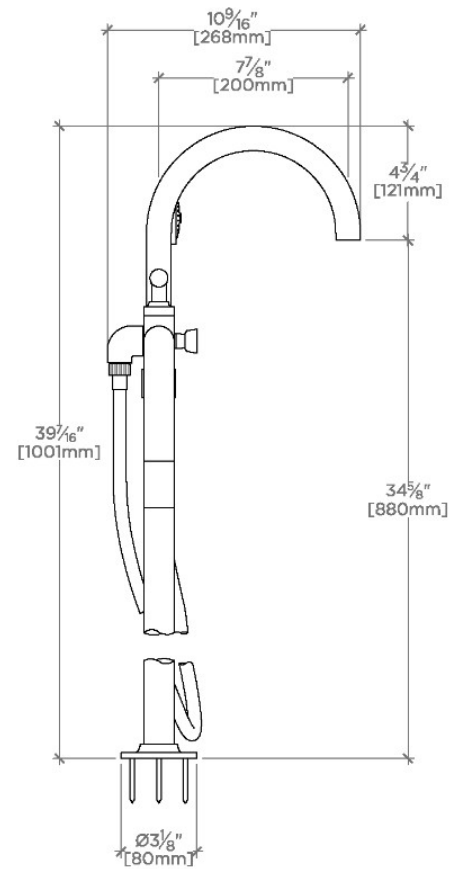
TOP VIEW

SCALE: $1\frac{1}{2}''=1'-0''$



FRONT VIEW

SCALE: $1\frac{1}{2}''=1'-0''$



SIDE VIEW

SCALE: $1\frac{1}{2}''=1'-0''$