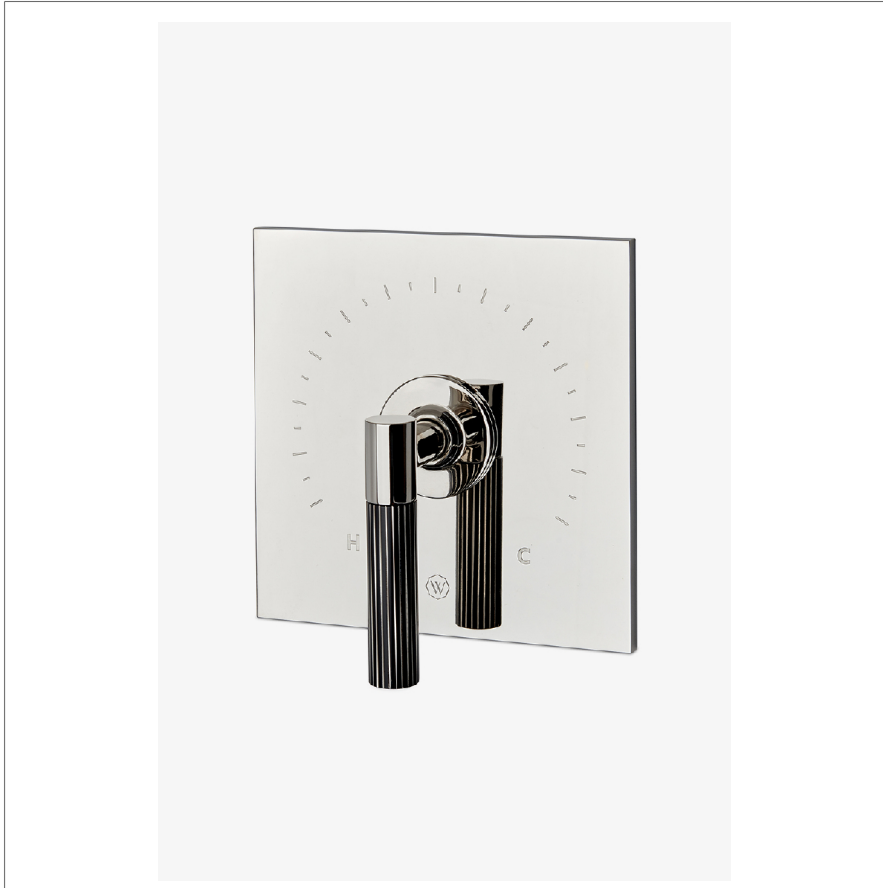


## BOND

BTH12E

Bond Union Series Square Thermostatic Control Valve Trim  
with Guilloche Pinstripe Lever Handle



SHOWN IN BOND UNION SERIES SQUARE THERMOSTATIC CONTROL VALVE TRIM WITH GUILLOCHE PINSTRIPE LEVER HANDLE | BTH12E

### TECHNICAL DETAILS

ADA Compliance: Yes  
Number Of Holes: One Hole  
Primary Material: Brass

### INSPIRATION

Modern designs infused with rare soul and artistry. Explore our wide range of Bond bath and kitchen elements, from fittings to fixtures to hardware.

### CODES & STANDARDS

### PRODUCT FEATURES

Lever Handle

Allows bather to adjust temperature of all waterway outlets with a hot limit safety stop providing anti-scald protection

Stocked in Nickel and Brass

Requires valve, sold separately: GUTH60 (1/2") or GUTH38 (3/4") (USA) or GU60TH, GU38TH (UK/International)

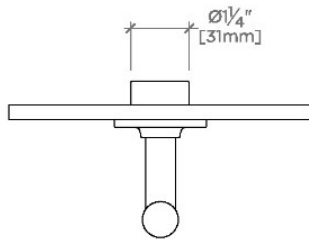
### CERTIFICATIONS

### PRODUCT (NOTES)

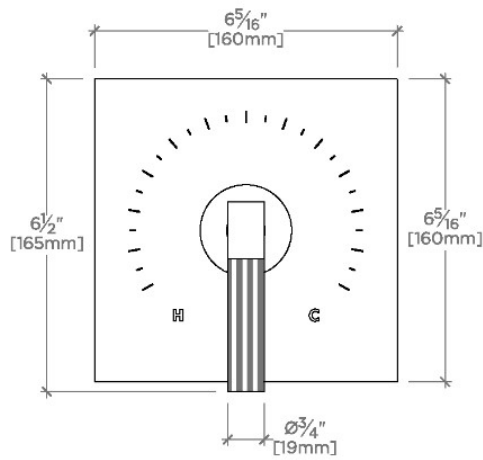
## BOND

BTH12E

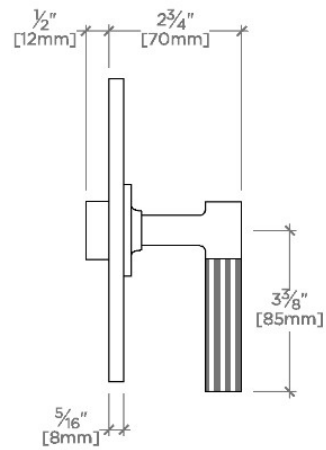
Bond Union Series Square Thermostatic Control Valve Trim  
with Guilloche Pinstripe Lever Handle



TOP VIEW SCALE: 3"=1'-0"



FRONT VIEW SCALE: 3"=1'-0"



SIDE VIEW SCALE: 3"=1'-0"