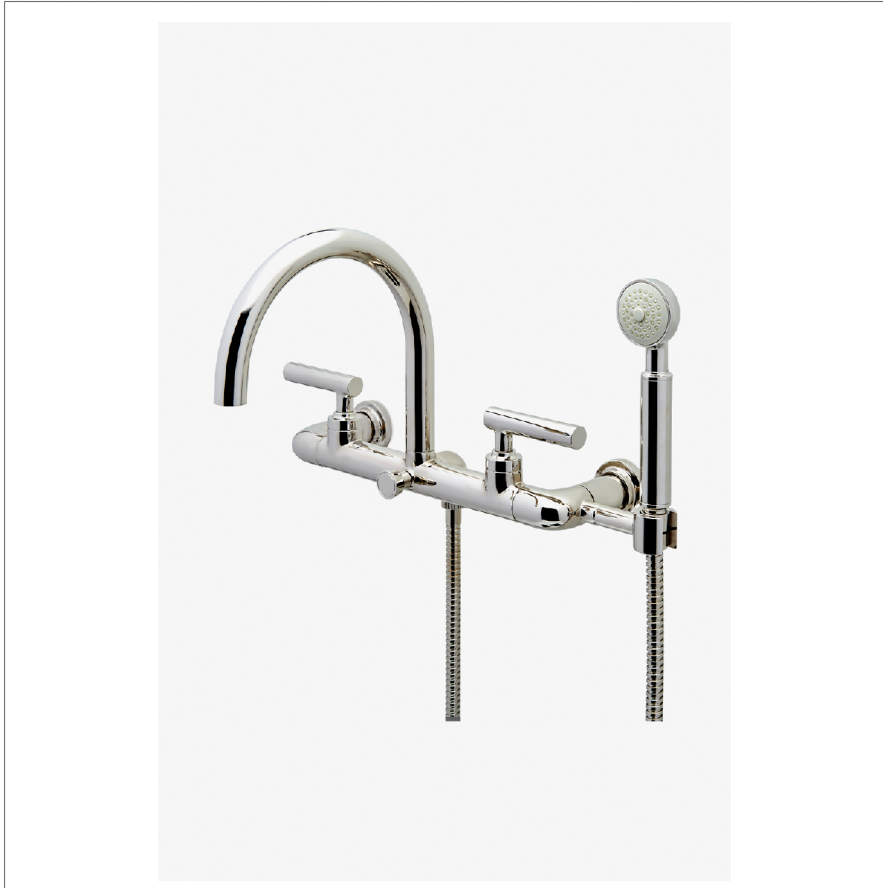


BOND

BXT190

Bond Solo Series Wall Mounted Exposed Tub Filler with Handshower and Straight Lever Handles



SHOWN IN BOND SOLO SERIES WALL MOUNTED EXPOSED TUB FILLER WITH HANDSHOWER AND STRAIGHT LEVER HANDLES | BXT190

TECHNICAL DETAILS

ADA Compliance: No
Diameter Of Legs Tubes: 1 1/4"
Fittings Hole Diameter: 1 3/8"
Handle Spread Maximum: 8"
Handle Spread Minimum: 8"
Handle Turn Angle: Quarter Turn
Handshower Spray Hose Length: 59"
Inlet Connection Size: 3/4"
Inlet Connection Type: Male NPT
Inlet Supply Spread Maximum: 12 1/2"
Inlet Supply Spread Minimum: 12 1/2"
Integrated Diverter: Y
Number Of Holes: Two Hole
Primary Material: Brass
Spout Swivel: N
Spray Included In Unit: Y
Valve Material: Ceramic
Water Pressure Maximum: 85.0 psi
Water Pressure Minimum: 20.0 psi
Water Pressure Recommended: 45.0 psi

INSPIRATION

Modern designs infused with rare soul and artistry. Explore our wide range of Bond bath and kitchen elements, from fittings to fixtures to hardware.

CODES & STANDARDS

PRODUCT FEATURES

Lever Handles

Diverter knob allows bather to move water from spout to handshower. Handshower features 2-1/8" head with rubber nozzles.

Stocked in Chrome, Nickel, Brass and Dark Nickel

Unrestricted flow for tub spout. Handshower available in 1.75gpm (6.6L/min) flow rate

CERTIFICATIONS

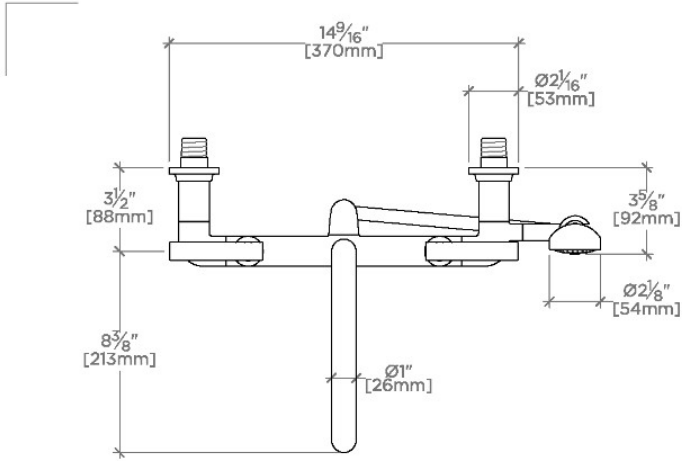
PRODUCT (NOTES)

WATERWORKS

BOND

BXT190

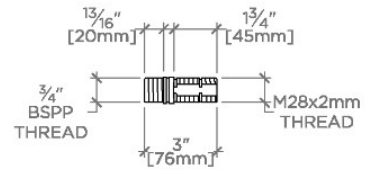
Bond Solo Series Wall Mounted Exposed Tub Filler with Handshower and Straight Lever Handles



TOP VIEW

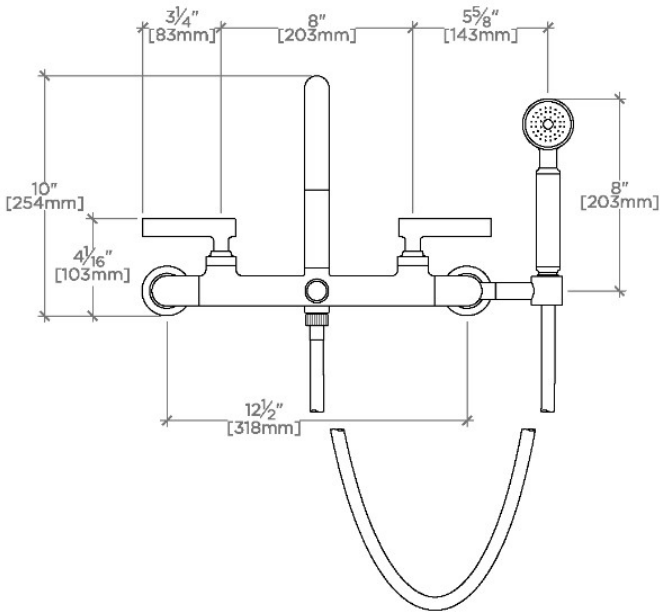
SCALE: 1/2"=1'-0"

+ 2 ADAPTERS SUPPLIED
INTERNATIONAL USE ONLY



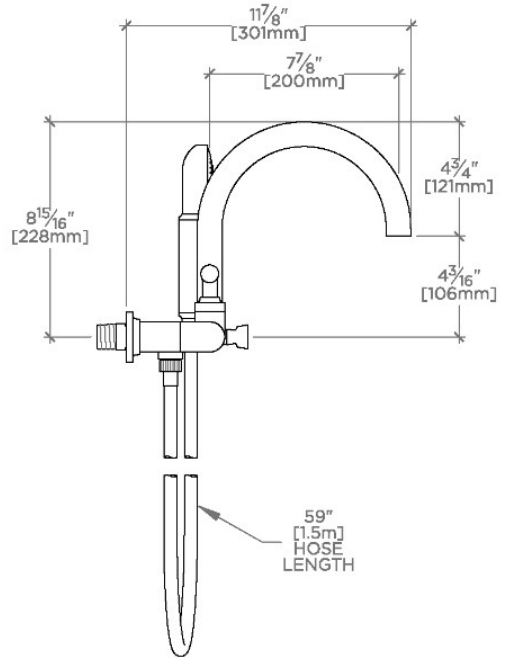
BSPP ADAPTER †

NOT TO SCALE



FRONT VIEW

SCALE: 1/2"=1'-0"



SIDE VIEW

SCALE: 1/2"=1'-0"