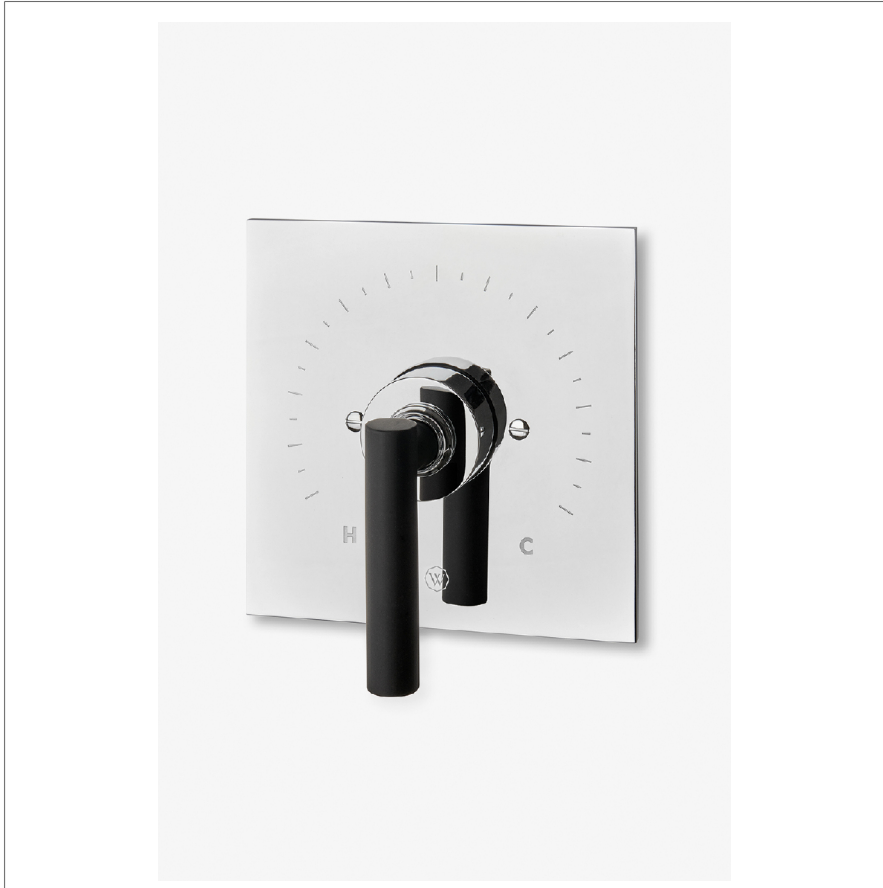


BOND

BPB12S

Bond Rally Series Square Pressure Balance Control Valve
Trim with Lever Handle



SHOWN IN BOND RALLY SERIES SQUARE PRESSURE BALANCE CONTROL VALVE TRIM WITH LEVER HANDLE | BPB12S

TECHNICAL DETAILS

Fittings Hole Diameter: 3 1/2"
Number Of Holes: One Hole
Primary Material: Brass

INSPIRATION

Modern designs infused with rare soul and artistry. Explore our wide range of Bond bath and kitchen elements, from fittings to fixtures to hardware.

CODES & STANDARDS

PRODUCT FEATURES

Lever Handle

Adjust the single handle control to switch water on and adjust temperature

Features anti-scald protection through an integrated high limit safety stop

Stocked in Chrome/Sport Black

Requires valve, sold separately, GUPB81 (USA) or GU81PB (UK/International)

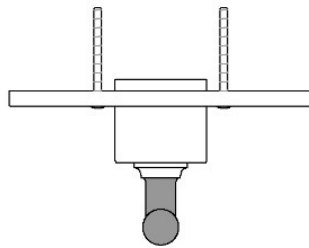
CERTIFICATIONS

PRODUCT (NOTES)

BOND

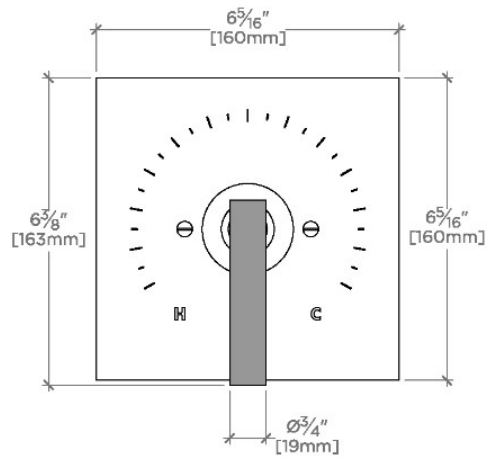
BPB12S

Bond Rally Series Square Pressure Balance Control Valve
Trim with Lever Handle



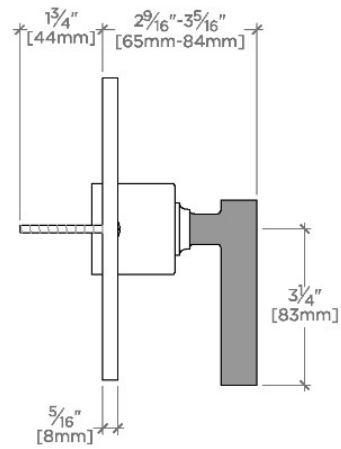
TOP VIEW

SCALE: 3"=1'-0"



FRONT VIEW

SCALE: 3"=1'-0"



SIDE VIEW

SCALE: 3"=1'-0"