

BOND

BXT390

Bond Solo Series Floor Mounted Exposed Tub Filler with Handshower and Straight Lever Handles



TECHNICAL DETAILS

ADA Compliance: No
 Diameter Of Legs Tubes: 1 1/4"
 Fittings Hole Diameter: 1 3/8"
 Handle Spread Maximum: 8"
 Handle Spread Minimum: 8"
 Handle Turn Angle: Quarter Turn
 Handshower Spray Hose Length: 59"
 Inlet Connection Size: 3/4"
 Inlet Connection Type: Sweat
 Inlet Supply Spread Maximum: 12 1/2"
 Inlet Supply Spread Minimum: 12 1/2"
 Integrated Diverter: Y
 Number Of Holes: Two Hole
 Primary Material: Brass
 Spout Swivel: N
 Spray Included In Unit: Y
 Valve Material: Ceramic
 Water Pressure Maximum: 85.0 psi
 Water Pressure Minimum: 20.0 psi
 Water Pressure Recommended: 45.0 psi

SHOWN IN BOND SOLO SERIES FLOOR MOUNTED EXPOSED TUB FILLER WITH HANDSHOWER AND STRAIGHT LEVER HANDLES | BXT390

INSPIRATION

Modern designs infused with rare soul and artistry. Explore our wide range of Bond bath and kitchen elements, from fittings to fixtures to hardware.

CODES & STANDARDS

PRODUCT FEATURES

Lever Handles

Diverter knob allows bather to move water from spout to handshower. Handshower features 2-1/8" head with rubber nozzles.

Stocked in Chrome, Nickel, Brass and Dark Nickel

Unrestricted flow for tub spout. Handshower available in 1.75gpm (6.6L/min) flow rate

CERTIFICATIONS

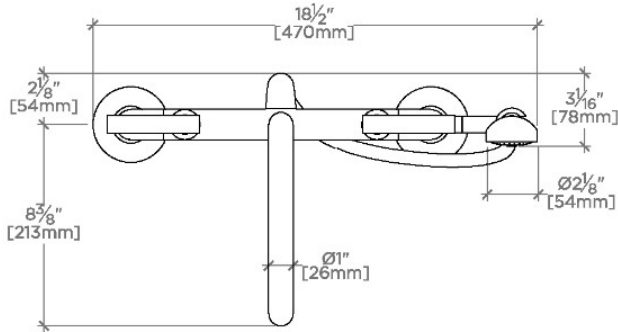
PRODUCT (NOTES)

WATERWORKS

BOND

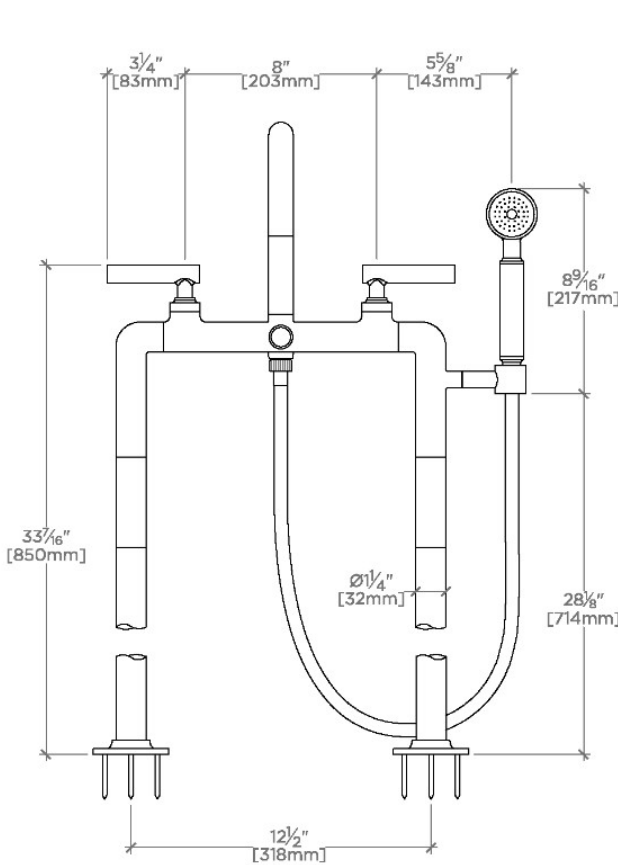
BXT390

Bond Solo Series Floor Mounted Exposed Tub Filler with Handshower and Straight Lever Handles



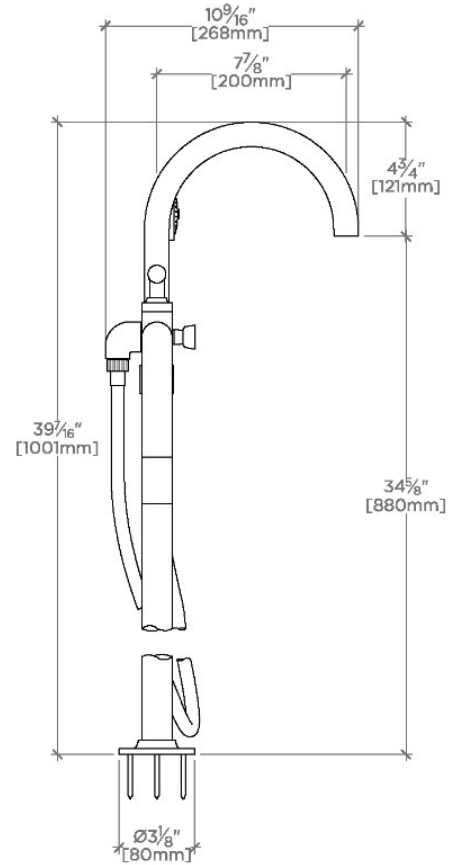
TOP VIEW

SCALE: 1/2"=1'-0"



FRONT VIEW

SCALE: 1/2"=1'-0"



SIDE VIEW

SCALE: 1/2"=1'-0"