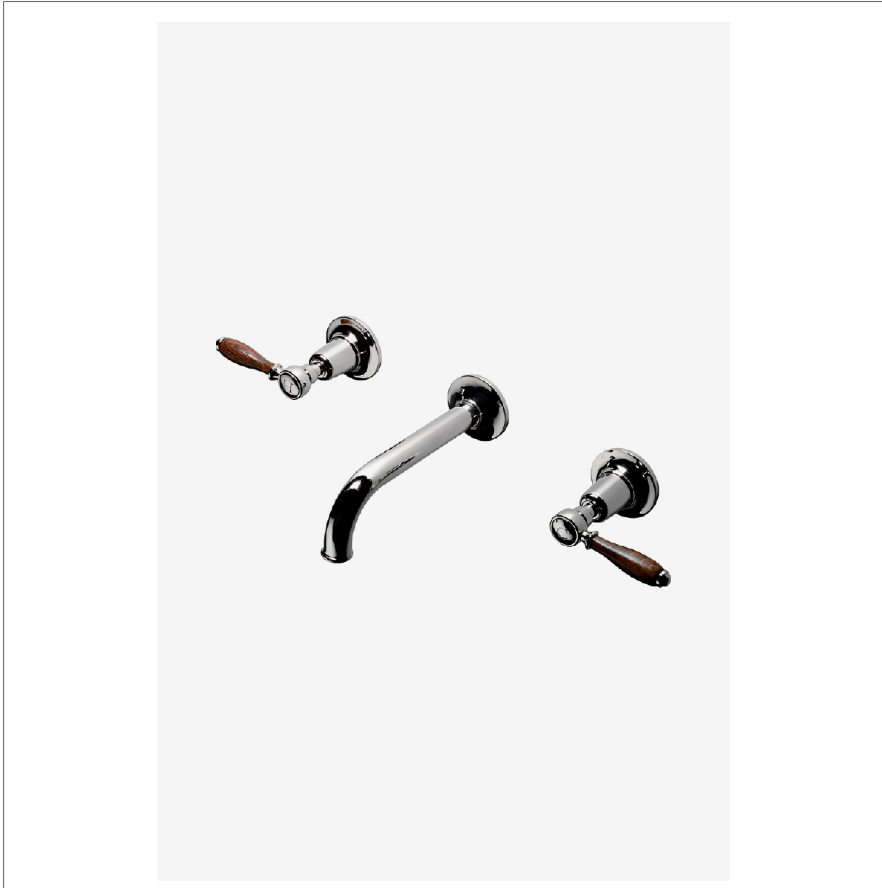


EASTON

EALS50

Easton Classic Low Profile Three Hole Wall Mounted Lavatory
Faucet with Elongated Spout and Oak Lever Handles



SHOWN IN EASTON CLASSIC LOW PROFILE THREE HOLE WALL MOUNTED LAVATORY FAUCET WITH ELONGATED SPOUT AND OAK LEVER HANDLES | EALS50

TECHNICAL DETAILS

ADA Compliance: Yes
 Adjustable Versus Fixed Spray: Fixed Spray
 Depth/Width: 6 1/2"
 Drain Assembly Materials: Brass
 Drain Depth Maximum: 2 3/4"
 Drain Depth Minimum: 1"
 Drain Hole Diameter: 1 3/4"
 Fittings Hole Diameter: 1 3/8"
 Flow Restriction Options: 1.2
 Handle Spread Maximum: 8"
 Handle Spread Minimum: 8"
 Handle Turn Angle: Quarter Turn
 Height: 3"
 Index Color Finish And Material: White Porcelain
 Inlet Connection Size: 1/2"
 Inlet Connection Type: Male NPT
 Inlet Supply Spread Maximum: 8"
 Inlet Supply Spread Minimum: 8"
 Installation Type: Wall Mounted
 Length: 15"
 Number Of Holes: Three Hole
 Primary Material: Brass
 Restricted Maximum Flow Rate: 1.2 gpm
 Spout Swivel: N
 Suggested Application: Bath
 Valve Material: Ceramic
 Water Pressure Maximum: 85.0 psi
 Water Pressure Minimum: 20.0 psi
 Water Pressure Recommended: 45.0 psi

INSPIRATION

Drawing on Edwardian style, Easton is the most extensive Waterworks family; a range of moods and a selection of products from fittings to furniture.

CODES & STANDARDS

EALS50X, NSF/ANSI/CAN 61:Q < 1, NSF/ANSI/CAN 372, ASME A112.18.1/CSA B125.1, CEC, DOE

PRODUCT FEATURES

Available in 1.2gpm (4.5L/min) flow rate

CERTIFICATIONS



PRODUCT (NOTES)

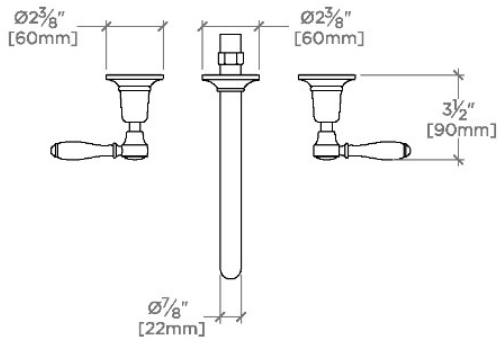
Sold with European style drain; USA style drain sold separately for use with non-Waterworks sinks.

WATERWORKS

EASTON

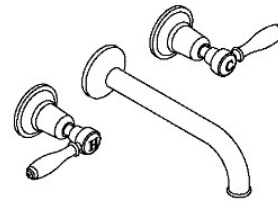
EALS50

Easton Classic Low Profile Three Hole Wall Mounted Lavatory
Faucet with Elongated Spout and Oak Lever Handles



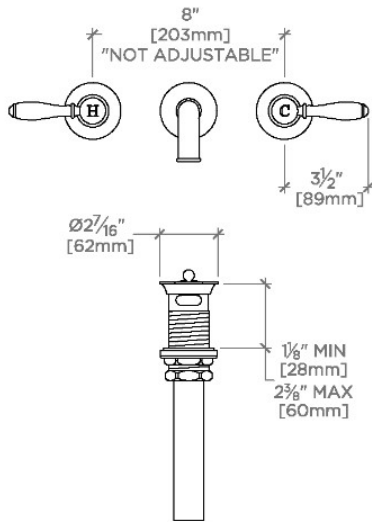
TOP VIEW

SCALE: 1/2"=1'-0"



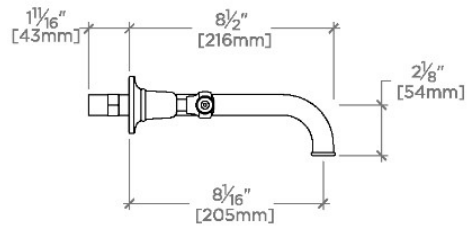
ISO VIEW

SCALE: 1/2"=1'-0"



FRONT VIEW

SCALE: 1/2"=1'-0"



SIDE VIEW

SCALE: 1/2"=1'-0"

