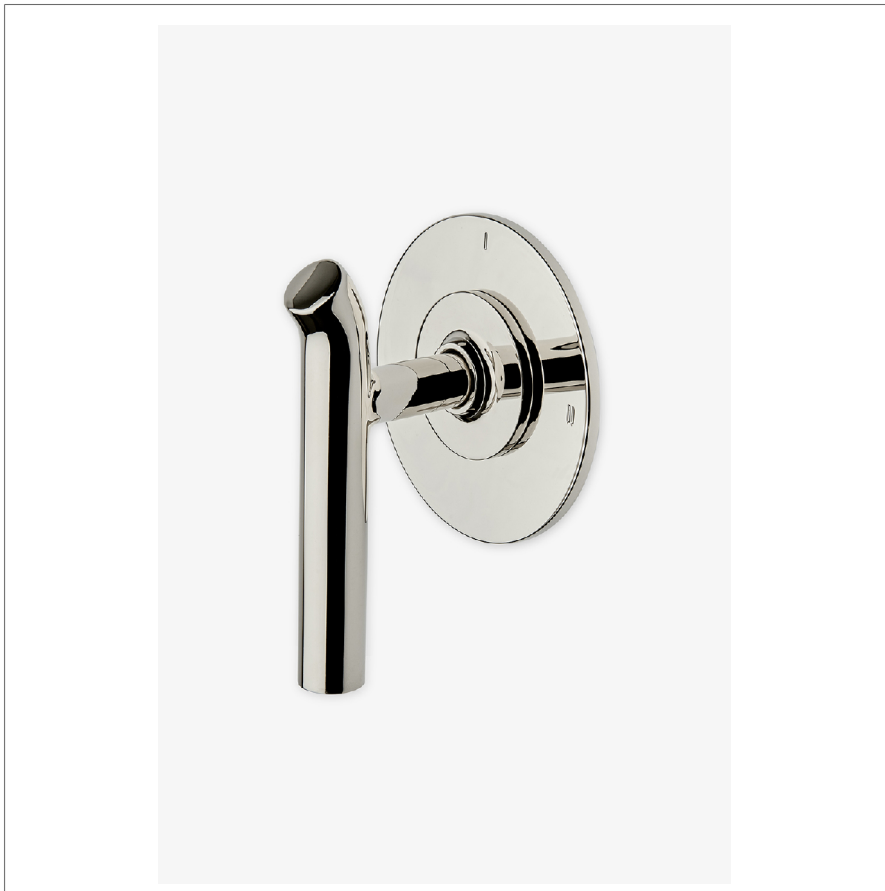


BOND

B2P110

Bond Solo Series Two Way Pressure Balance Diverter Trim
with Roman Numerals and Lever Handle



SHOWN IN BOND SOLO SERIES TWO WAY PRESSURE BALANCE DIVERTER TRIM WITH ROMAN NUMERALS AND LEVER HANDLE | B2P110

TECHNICAL DETAILS

Fittings Hole Diameter: 2 1/2"
Integrated Diverter: N
Primary Material: Brass

INSPIRATION

Modern designs infused with rare soul and artistry. Explore our wide range of Bond bath and kitchen elements, from fittings to fixtures to hardware.

CODES & STANDARDS

PRODUCT FEATURES

Lever Handle

For use with a Pressure Balance shower system and two waterway outlets such as a handshower, shower head, or tub spout

Feature Roman Numerals representing outlet position

Stocked in Chrome, Nickel, Brass and Dark Nickel

Requires valve rough GUPB87

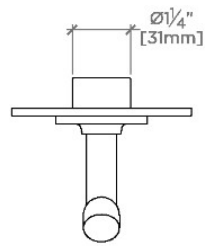
CERTIFICATIONS

PRODUCT (NOTES)

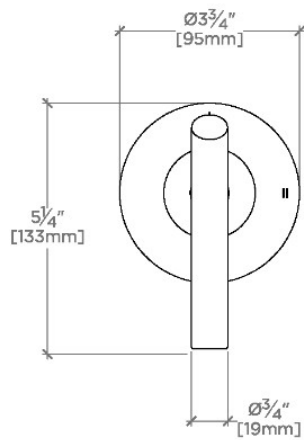
BOND

B2P110

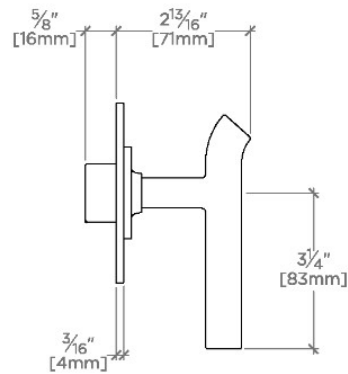
Bond Solo Series Two Way Pressure Balance Diverter Trim
with Roman Numerals and Lever Handle



TOP VIEW SCALE: 3"=1'-0"



FRONT VIEW SCALE: 3"=1'-0"



SIDE VIEW SCALE: 3"=1'-0"