

BOND

BTH110

Bond Solo Series Square Thermostatic Control Valve Trim
with Lever Handle



SHOWN IN BOND SOLO SERIES SQUARE THERMOSTATIC CONTROL VALVE TRIM WITH LEVER HANDLE | BTH110

TECHNICAL DETAILS

ADA Compliance: Yes
Integrated Diverter: N
Number Of Holes: One Hole
Primary Material: Brass

INSPIRATION

Modern designs infused with rare soul and artistry. Explore our wide range of Bond bath and kitchen elements, from fittings to fixtures to hardware.

CODES & STANDARDS

State of MA

PRODUCT FEATURES

Lever Handle

Allows bather to adjust temperature of all waterway outlets with a hot limit safety stop providing anti-scald protection

Features Uprturned Lever Handle

Stocked in Chrome, Nickel, Brass and Dark Nickel

Requires rough valve, sold separately: GUTH56 (1/2") or GUTH38 (3/4")

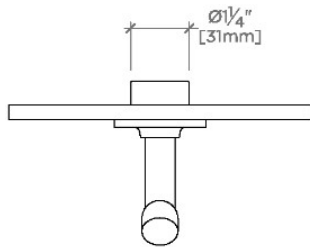
CERTIFICATIONS

PRODUCT (NOTES)

BOND

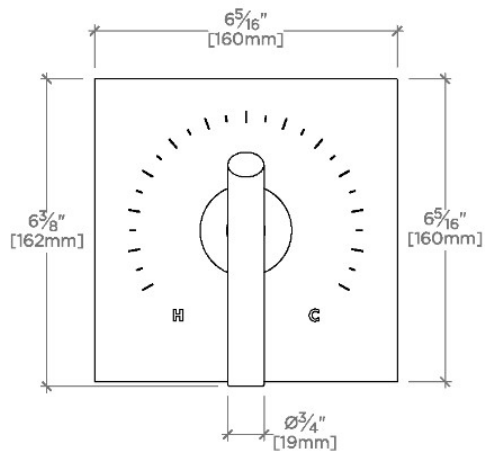
BTH110

Bond Solo Series Square Thermostatic Control Valve Trim
with Lever Handle



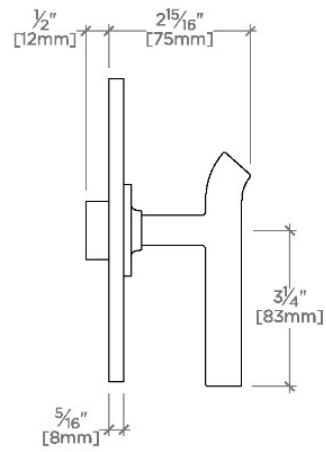
TOP VIEW

SCALE: 3"=1'-0"



FRONT VIEW

SCALE: 3"=1'-0"



SIDE VIEW

SCALE: 3"=1'-0"