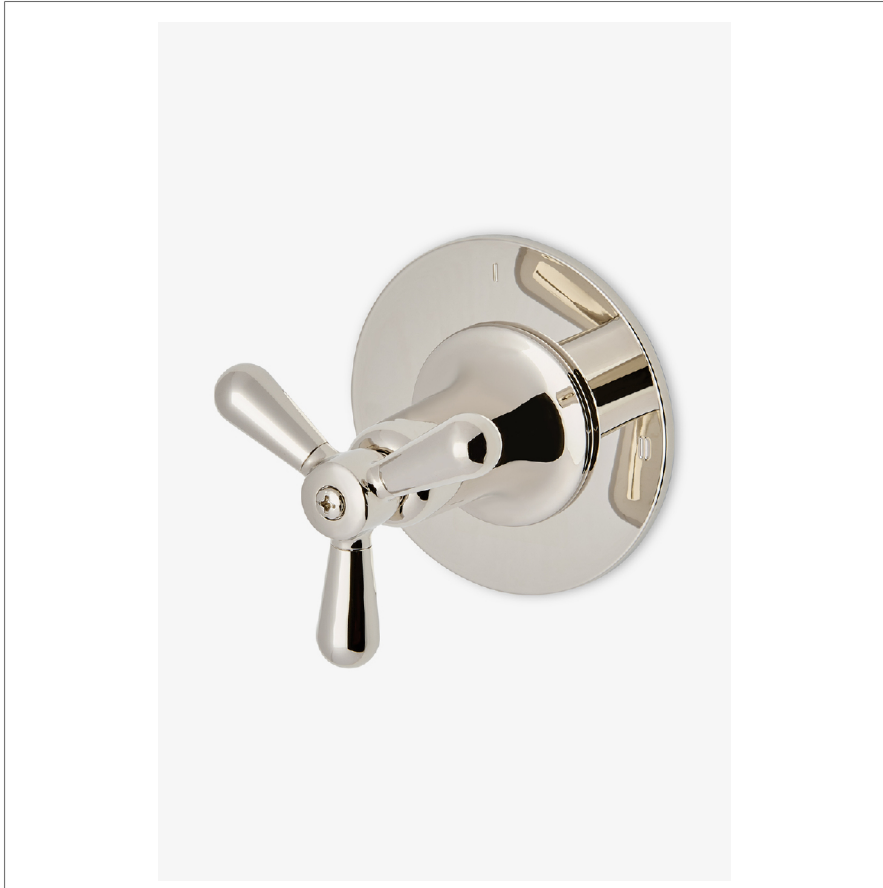


RIVERUN

RR2P02

Riverun Two Way Diverter Valve Trim for Pressure Balance
with Roman Numerals and Tri-Spoke Handle



SHOWN IN RIVERUN TWO WAY DIVERTER VALVE TRIM FOR PRESSURE BALANCE WITH ROMAN NUMERALS AND TRI-SPOKE HANDLE | RR2P02

TECHNICAL DETAILS

Fittings Hole Diameter: 2"
Handle Turn Angle: Quarter Turn
Number Of Holes: One Hole
Primary Material: Brass

INSPIRATION

This new American classic was designed with simplicity in mind. Featuring streamlined forms and honest details, it's the epitome of quiet elegance.

CODES & STANDARDS

PRODUCT FEATURES

Features All Metal Tri-Spoke Handle

For use with a Pressure Balance shower system and two waterway outlets such as a handshower, shower head, or tub spout

Feature Roman Numerals representing outlet position

Stocked in Nickel and Brass

Requires rough valve, sold separately: GUDV2P

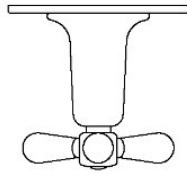
CERTIFICATIONS

PRODUCT (NOTES)

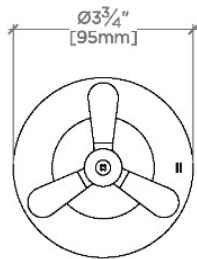
RIVERUN

RR2P02

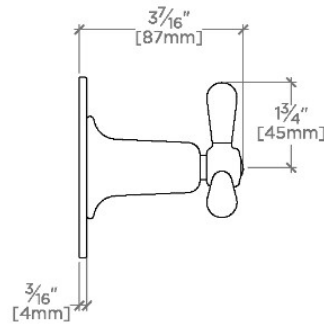
Riverun Two Way Diverter Valve Trim for Pressure Balance
with Roman Numerals and Tri-Spoke Handle



TOP VIEW SCALE: 3"=1'-0"



FRONT VIEW SCALE: 3"=1'-0"



SIDE VIEW SCALE: 3"=1'-0"