

RIVERUN

RR2T11

Riverun Two Way Diverter Valve Trim for Thermostatic with Roman Numerals and Lever Handle



SHOWN IN RIVERUN TWO WAY DIVERTER VALVE TRIM FOR THERMOSTATIC WITH ROMAN NUMERALS AND LEVER HANDLE | RR2T11

TECHNICAL DETAILS

Fittings Hole Diameter: 2"
Handle Turn Angle: Half Turn
Number Of Holes: One Hole
Primary Material: Brass

INSPIRATION

This new American classic was designed with simplicity in mind. Featuring streamlined forms and honest details, it's the epitome of quiet elegance.

CODES & STANDARDS

PRODUCT FEATURES

Features All Metal Lever Handle

For use with a Thermostatic shower system and two waterway outlets such as a handshower, shower head, and tub spout

Feature Roman Numerals representing outlet position

Stocked in Nickel and Brass

Requires rough valve, sold separately: GUDV2T

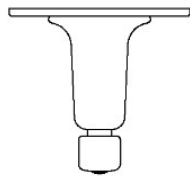
CERTIFICATIONS

PRODUCT (NOTES)

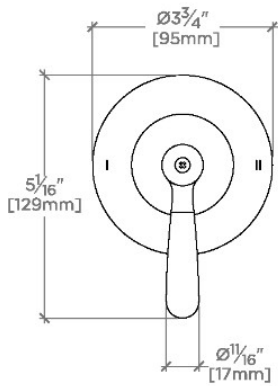
RIVERUN

RR2T11

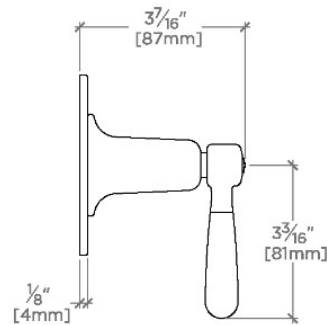
Riverun Two Way Diverter Valve Trim for Thermostatic with Roman Numerals and Lever Handle



TOP VIEW SCALE: 3"=1'-0"



FRONT VIEW SCALE: 3"=1'-0"



SIDE VIEW SCALE: 3"=1'-0"