

# WATERWORKS

PRODUCT SUPPORT  
800.927.2120  
WATERWORKS.COM

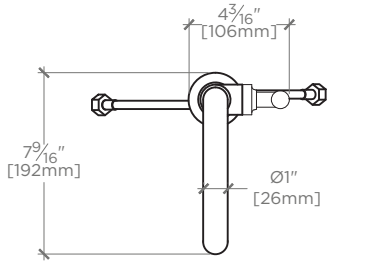
## Bond

COMMERCIAL ONLY Bond Solo Series One  
Hole Gooseneck Bar Faucet with Straight  
Lever Handle

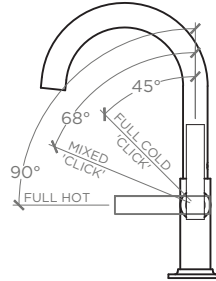
STYLE No. BKM490

SPECIFICATIONS  
Page 1 of 1

*All dimensions are based on original specifications and are subject to change and variation. Please consult your Design Associate for current specifications.*

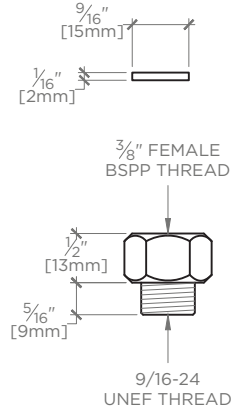


TOP VIEW SCALE: 1/2"=1'-0"

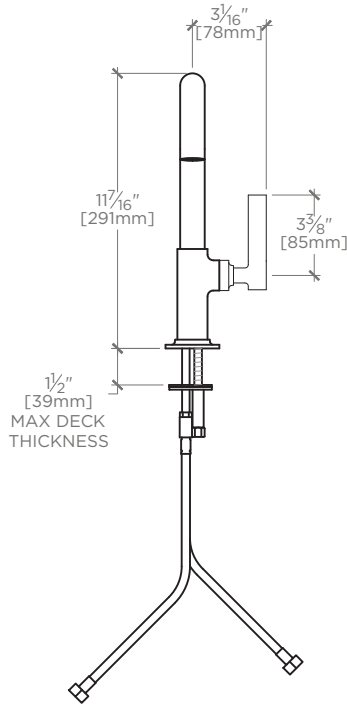


HANDLE OPERATION SCALE: 1/2"=1'-0"

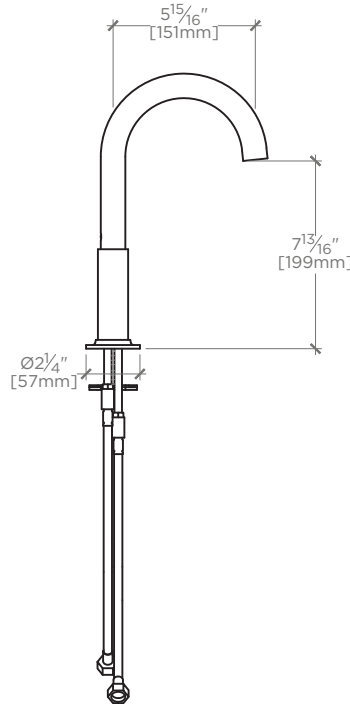
NOTE:  
ADAPTER AND GASKET (x2)  
INCLUDED - INTERNATIONAL  
USE ONLY



NOT TO SCALE



FRONT VIEW SCALE: 1/2"=1'-0"



SIDE VIEW SCALE: 1/2"=1'-0"

### SPECIFICATIONS:

Deck Thickness Maximum: 1-1/2" [38mm]  
Deck Thickness Minimum: 1/4" [6mm]  
Handle Turn Angle: Quarter Turn  
Inlet Connection Size & Type: 3/8" Compression Connection Hoses  
Spout Swivel: Y  
Fittings Hole Diameter: Ø1-3/8" [35mm]  
Water Pressure Maximum: 85.Opsi [6.0bar]  
Water Pressure Minimum: 20.Opsi [1.5bar]  
Water Pressure Recommended: 45.Opsi [3.0bar]

### NOTES: