

## FORO

Foro Ceiling Mounted Shower Arm and Flange

FRSH03



### TECHNICAL DETAILS

Fittings Hole Diameter: 1 3/8"  
Depth / Width: 2 7/16"  
Height: 6 7/8"  
Inlet Connection Size: 1/2"  
Inlet Connection Type: Male NPT  
Length: 2 7/16"  
Outlet Connection Size: 1/2"  
Outlet Connection Type: Male NPT  
Water Pressure Maximum: 85.0 psi  
Water Pressure Minimum: 20.0 psi  
Water Pressure Recommended: 45.0 psi

### INSPIRATION

A mix of historical references, including finely etched vintage silver, come together in this twist on classical design - a wonderfully elegant formal statement.

## FORO

## FRSH03

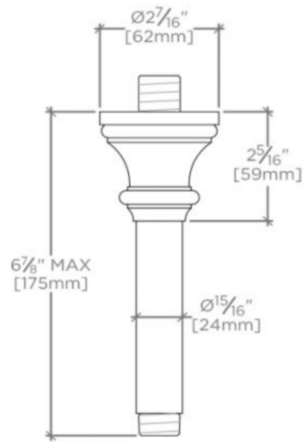
Foro Ceiling Mounted Shower Arm and Flange



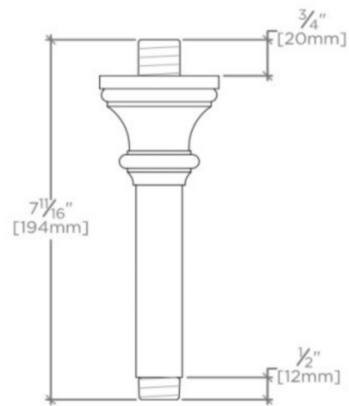
TOP VIEW SCALE: 3"=1'-0"



ISO VIEW SCALE: 3"=1'-0"



FRONT VIEW SCALE: 3"=1'-0"



SIDE VIEW SCALE: 3"=1'-0"