

BOND

Bond Handshower on Hook

BHS001



TECHNICAL DETAILS

ADA Compliance: Yes
Adjustable versus Fixed Spray: Fixed Spray
Fittings Hole Diameter: 1"
Handshower / Spray Hose Length: 59"
Inlet Connection Size: 1/2"
Inlet Connection Type: FEMALE NPT
Integrated Diverter: N
Pivot: N
Primary Material: Brass
Restricted Maximum Flow Rate: 1.75 gpm
Water Pressure Maximum: 85.0 psi
Water Pressure Minimum: 20.0 psi
Water Pressure Recommended: 45.0 psi

INSPIRATION

Modern bath designs infused with rare soul and artistry. Explore a range of statement-making elements: fittings, washstands, mirrors and more.

PRODUCT FEATURES

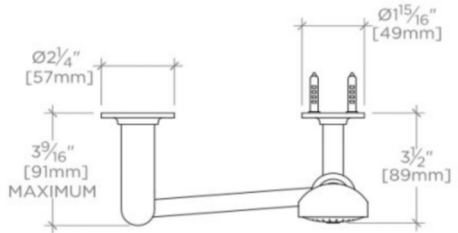
2 -1/8" head with rubber nozzles
Stocked in Chrome, Nickel, Brass and Dark Nickel
Available in 1.75gpm (6.6L/min) flow rate

WATERWORKS

BOND

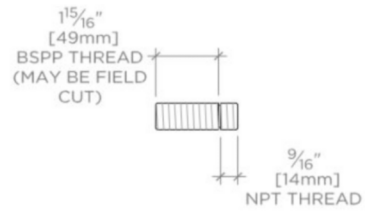
BHS001

Bond Handshower on Hook

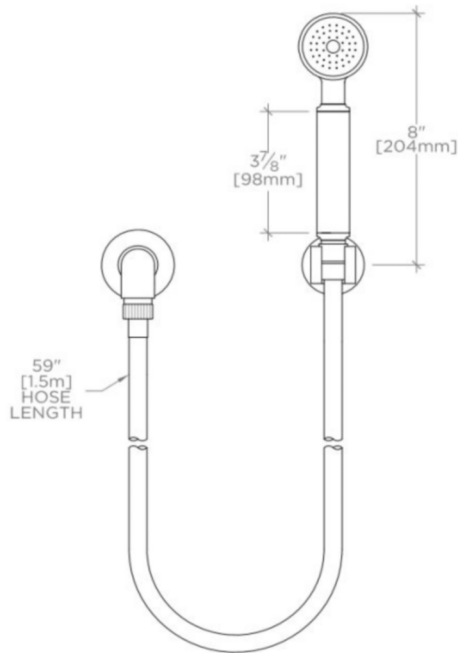


TOP VIEW

SCALE: 2"=1'-0"

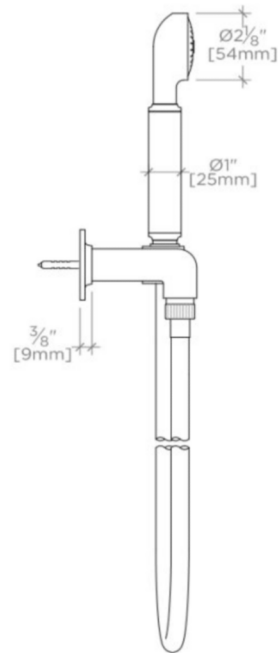


ADAPTER INCLUDED - INTERNATIONAL USE ONLY



FRONT VIEW

SCALE: 2"=1'-0"



SIDE VIEW

SCALE: 2"=1'-0"