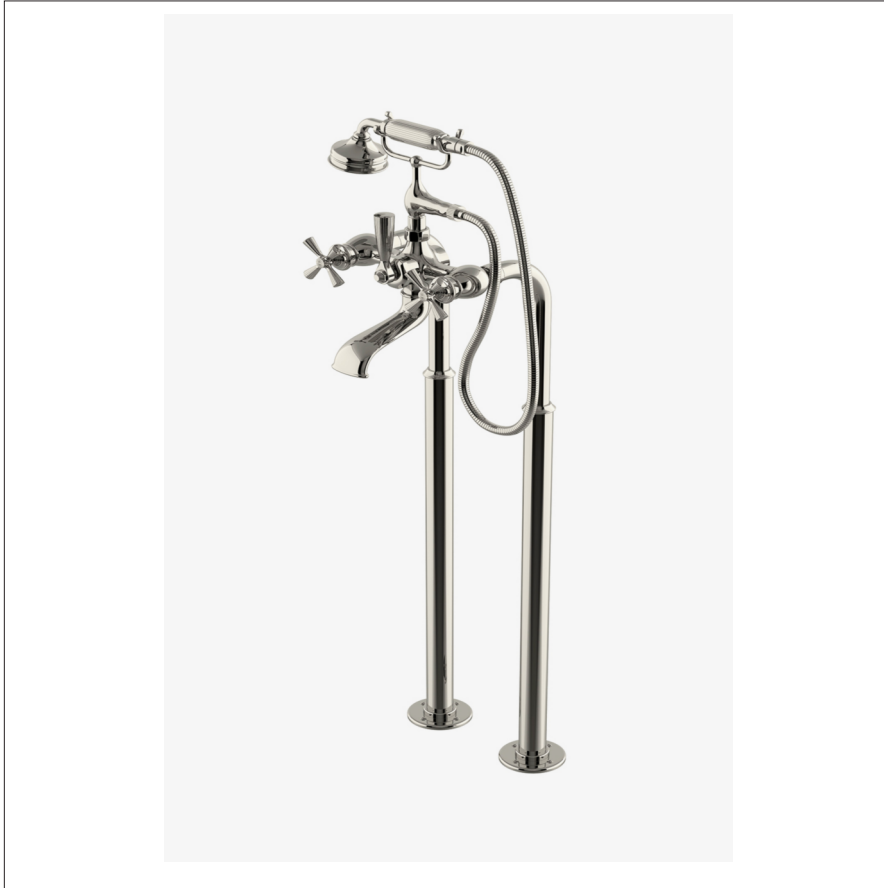


FORO

Foro Floor Mounted Exposed Tub Filler with Metal Handshower and Cross Handles

FRXT60



TECHNICAL DETAILS

Adjustable versus Fixed Spray: Fixed
Fittings Hole Diameter: 1 1/4"
Handle Spread Maximum: 7 1/4"
Handle Spread Minimum: 7 1/4"
Handle Turn Angle: Quarter Turn
Handshower / Spray Hose Length: 59"
Depth / Width: 12"
Height: 43 3/8"
Inlet Connection Size: 3/4"
Inlet Connection Type: Sweat
Inlet Supply Spread Maximum: 7 1/4"
Inlet Supply Spread Minimum: 7 1/4"
Length: 11"
Valve Material: Ceramic
Water Pressure Maximum: 85.0 psi
Water Pressure Minimum: 20.0 psi
Water Pressure Recommended: 45.0 psi

INSPIRATION

A mix of historical references, including finely etched vintage silver, come together in this twist on classical design to create a wonderfully elegant formal statement.

PRODUCT FEATURES

Metal cross handles

Diverter handle allows bather to move water from spout to handshower. Handshower features 3" head with rubber nozzles

Features signature engraving detail

Stocked in Nickel and Unlacquered Brass

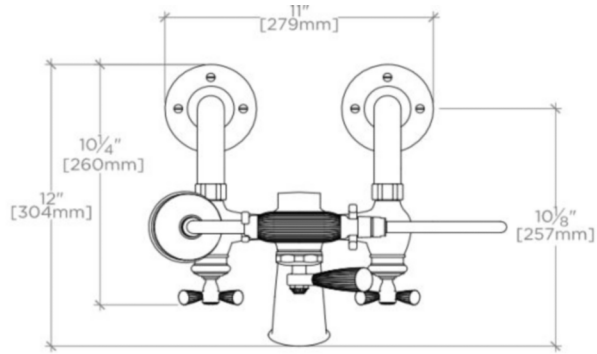
Unrestricted flow for tub spout. Handshower available in 1.75gpm (6.6L/min) flow rate

WATERWORKS

FORO

FRXT60

Foro Floor Mounted Exposed Tub Filler with Metal Handshower and Cross Handles



TOP VIEW

SCALE: 1/2"=1'-0"

